



Leaders in Environmental Compliance Products

AP-2 AutoPump®

AutoPump Controllerless System
(for 2-inch wells or larger)

PO Box 3726
6095 Jackson Road
Ann Arbor, Michigan 48106-3726

(800) 624-2026 — North America Only
(734) 995-2547 — Tele.
(734) 995-1170 — Fax
info@qedenv.com — E-mail
www.qedenv.com

550 Adeline Street
Oakland, California 94607

(800) 537-1767 — North America Only
(510) 891-0880 — Tele.
(510) 444-6789 — Fax

Copyright QED Environmental Systems, **August 2007**

The equipment in this manual is protected under U.S. and foreign patents issued and pending:

U.S. Patents:

Selective Oil Skimmer (SOS)	4,497,370
Specific Gravity Skimmer (SPG)	4,663,037
AutoPump (AP)	5,004,405
Specific Gravity Skimmer (SPG) Product Sensing	5,474,685
Vacuum/Pressure Hydrocarbon Recovery System	4,761,225
SPG PSR technology	5,474,685
AP-2	5,641,272
Genie System	5,704,772

Canada Patent:

Specific Gravity Skimmer (SPG)	1,239,868
--------------------------------	-----------

"AP" is a Registered Trademark of "QED Environmental Systems"

"AutoPump" is a Registered Trademark of "QED Environmental Systems"

"SOS" is a Registered Trademark of "QED Environmental Systems"

"Genie" is a Registered Trademark of "QED Environmental Systems"

"SPG" is a Registered Trademark of "QED Environmental Systems"

The QED Environmental Systems logo is a Registered Trademark of "QED Environmental Systems"

QED Environmental Systems is a Registered Trademark of "QED Environmental Systems"



Table of Contents

Introduction	1
Safety	1
How to Contact QED	2
Chapter 1: Safety	3
A Partial List of Safety Procedures	3
Fire and Explosion Protection	4
Personal Protection	4
Spill Protection	4
Chapter 2: Overview	5
General Specifications	5
This is How it Works	6
Major AutoPump Features	6
Special Operating Conditions	8
Cold Weather	8
Actions To Take	8
Flow induced freezing	10
The well is under a vacuum	10
Abrasive particles in the well	10
Hard pipe air supply connection to the pump	10
Options and Accessories	11

Chapter 3: Equipment 12

Unpacking.....	12
Equipment List.....	12
Tools.....	13
Parts List	13
AP-2 AutoPumps	13
Bottom-Loading AP-2/BL	13
Top-Loading AP-2/TL	13
Specifications.....	16
Component Materials	16
Performance and Air Use Curves	16
Landfill Pump Configurations	16
Landfill Pump Specifications.....	16
Component Materials	16
Single Stage Filter/Regulator.....	18
Hoses and Fittings.....	19
Hose and Tubing Color Code Table.....	19
Pump Cycle Counter.....	20
Volumes Pumped Per Cycle	20
Pump Support System.....	21

Chapter 4: Assembly & Installation 22

Cautions	22
Compressed Air Supply	23
Component Assembly	23
Quick-Connects/Hose Barbs	23
AutoPump Assembly	23
Dry Test.....	28
Pump Support System and Hose Bundling Assembly	29
AutoPump Installation	34

Chapter 5: Start Up and Operation **36**

Start Up Checklist.....	36
Adjusting the Pump Cycle Counter	37
Observation of System Operation.....	38
Downwell Testing of the AutoPump.....	38
AutoPump Shutdown while Submerged.....	38
AutoPump Removal Technique (optional)	39

Chapter 6: Maintenance **40**

General Maintenance	40
Maintenance Table	41
Air Quality Check.....	41
Single Stage Filter/Regulator Maintenance.....	41
AutoPump Service	43
AutoPump Shutdown and Removal from Well	43
Removing Pump Casing	43
Cleaning Pump Interior	44
Iron Build-up Cleaning Procedure.....	51
Installing Pump Casing	52
Cleaning the Pump Cycle Counter	53
Checking Volumes Pumped Per Cycle	53

Chapter 7: Troubleshooting & Repairs **54**

Troubleshooting	55
Returning Equipment for Service	58
Equipment Cleaning Requirements	59
Hoses and Fittings	59
AutoPumps	59

Appendix A: Performance Curves	60
Appendix B: Air Consumption Curves	66
Appendix C: AP-2 Conversions	72
Appendix D: Vacuum on Well	75
Appendix E: Air Compressor	80
Installation	80
Electrical Wiring for the Compressor	81
Motor Overload Protection	82
Air Quality and Pressure	82
Maintenance	83
Troubleshooting	84
Appendix F: Pump Cycle Counter	86
Introduction	86
Pump Cycle Counter Operation/Installation	87
Digital Display	87
Magnet Housing	88
Hardware Options	88
Materials of Construction	89
Adjusting the Pump Cycle Counter	89
Cleaning the Pump Cycle Counter	90
Assembly of the Digital Display	92
AP-2 Volumes Pumped Per Cycle	92
Terms, Conditions, and Warranty	96

Figures:

Figure 1 - How it Works.....	7
Figure 2 - Overview of the AutoPump System.....	9
Figure 3 - Long and Short Bottom-Loading (AP-2/BL).....	14
Figure 4 - Long and Short Top-Loading (AP-2/TL).....	15
Figure 5 - Long and Short AP-2 Bottom Loading with Leachate Screen.....	17
Figure 6 - Single Stage Filter/Regulator 60 with Quick-Connects.....	18
Figure 7 - Locking Quick-Connects.....	24
Figure 8 - One-Ear Clamp and Hose Barb Assembly Instructions.....	25
Figure 9 - AP-2 Assembly: Well Cap with Holes.....	26
Figure 10 - AP-2 Assembly: Well Cap with Hose Barbs.....	27
Figure 11 - Examples of Well Caps.....	30
Figure 12 - Hose Bundling: Part 1 of 2.....	32
Figure 13 - Hose Bundling: Part 2 of 2.....	33
Figure 14 - Removing AP-2 Pump Casing.....	45
Figure 15 - Exploded View of a Long Top-Loading AP-2.....	46
Figure 16 - Exploded View of a Short Top-Loading AP-2.....	47
Figure 17 - Exploded View of a Long Bottom-Loading AP-2.....	48
Figure 18 - Exploded View of a Short Bottom-Loading AP-2.....	49
Figure 19 - Exploded View of AP-2 Lever Assembly.....	50
Figure 20 - Long AP-2/BL Performance Curves: 1/2-inch (13 mm) I.D. Discharge US and METRIC UNITS.....	62
Figure 21 - Long AP-2/TL Performance Curves: 1/2-inch (13 mm) I.D. Discharge US and METRIC UNITS.....	63
Figure 22 - Short AP-2/BL Performance Curves: 1/2-inch (13 mm) I.D. Discharge US and METRIC UNITS.....	64

Figure 23 -Short AP-2/TL Performance Curves: 1/2-inch (13 mm) I.D. Discharge US and METRIC UNITS	65
Figure 24 - Long AP-2/BL Air Consumption Curves: 1/2-inch (13 mm) I.D. Discharge US and METRIC UNITS	68
Figure 25 - Long AP-2/TL Air Consumption Curves: 1/2-inch (13 mm) I.D. Discharge US and METRIC UNITS	69
Figure 26 - Short AP-2/BL Air Consumption Curves: 1/2-inch (13 mm) I.D. Discharge US and METRIC UNITS	70
Figure 27 - Short AP-2/TL Air Consumption Curves: 1/2-inch (13 mm) I.D. Discharge US and METRIC UNITS	71
Figure 28 - Conversion from Bottom-Loading to Top-Loading Autopump	73
Figure 29 - Conversion from Top-Loading to Bottom-Loading Autopump	74
Figure 30 - AP-2/BL with Vacuum In the Well and Pump Exhaust Outside the Well.....	76
Figure 31 - AP-2/BL with Vacuum In the Well and Pump Exhaust In the Well.....	77
Figure 32 - AP-2/TL with Vacuum In the Well and Pump Exhaust Outside the Well.....	78
Figure 33 - AP-2/TL with Vacuum In the Well and Pump Exhaust In the Well.....	79
Figure 34 - Pump Cycle Counter	86
Figure 35 - Pump Cycle Counter Installation	88
Figure 36 - Pump Cycle Counter Exploded View.....	91
Figure 37 - Pump Cycle Counter with Magnetic Reed Switch.....	94
Figure 38 -Pump Cycle Counter Remote Readout Panel	95



Introduction

Welcome to QED Environmental Systems' AutoPump® (AP-2) manual.

To ensure the best operator safety and system performance, it is strongly recommended that the operators read this entire manual before using the system.

This manual reflects our many years of experience and includes comments and suggestions from our sales and service personnel and most importantly from our customers. The chapters, their contents and sequence were designed with you, the user and installer, in mind. We wrote this manual so it can be easily understood by users who may not be familiar with systems of this type or are using a *QED* system for the first time.

Safety

Safety has been a cornerstone of our design which has been proven out in building and shipping systems throughout the world. Our high level of performance is achieved by using quality components, building in redundancies or backup systems, and not compromising our commitment to quality manufacturing. The net result is the highest quality and safest pneumatic pump recovery system on the market. We feel so strongly about safety, based on years of working with the hydrocarbon industry, that it is the first section in all of our manuals.

How to Contact *QED*

If for any reason you are unable to find what you need in this manual please feel free to contact the *QED* Service Department at any time. We encourage you to use following communication methods to reach us at any time:

Service Department
QED Environmental Systems
www.qedenv.com

Oakland Service Center
1133 Seventh Street
Oakland, California 94607

(800) 537-1767 – North America Only
(510) 891-0880 – Tele.
(510) 444-6789 – Fax

Ann Arbor Service Center
PO Box 3726
6095 Jackson Road
Ann Arbor, Michigan 48106-3726

(800) 624-2026 — North America Only
(734) 995-2547 — Tele.
(734) 995-1170 — Fax
info@qedenv.com — E-mail

***QED* can be reached 24 hours a day**

We welcome your comments and encourage your feedback regarding anything in this manual and the equipment you have on-site.

Thank you again for specifying *QED* remediation equipment.

Chapter 1: Safety

Safety has been a prime consideration when designing the AutoPump System. Safety guidelines are provided in this manual, and the AutoPump System safety features are listed below. Please do not attempt to circumvent the safety features of this system.

We have also listed some possible hazards involved when applying this system to site remediation. Nothing will protect you as much as understanding the system, the site at which it is being used, and the careful handling of all the equipment and fluids. If you have any questions, please contact the *QED* Service Department for guidance.

As you read through this manual, you will encounter three kinds of warnings. The following examples indicate how they appear and lists their respective purposes.

- Note:** Highlights information of interest.
Caution: Highlights ways to avoid damaging equipment.
WARNING: Highlights personal safety issues.

A Partial List of Safety Procedures

WARNING:
The air compressor and any other electrical equipment used with this pneumatic system must be positioned outside of any area considered hazardous because of possible combustible materials.

These safety procedures should be followed at all times when operating QED equipment on or off site, and should be considered as warnings:

- Wear safety goggles when working with the AutoPump System to protect eyes from any splashing or pressure release.
- Wear chemically resistant rubber gloves, boots, and coveralls when handling the AutoPump and fluid discharge hose to avoid skin contact with the fluid being recovered..

- Point all hoses away from personnel and equipment when connecting or disconnecting.
- Always ensure that the fluid discharge hose is connected before the air hose to prevent accidental discharge.

The AutoPump System minimizes the potential for accidents with the following safeguards:

Fire and Explosion Protection

Almost all of QED underground fluid extraction systems are pneumatic. This offers many inherent fire and explosion protection features:

- Compressed air lines eliminates electrical wiring in hazardous areas.
- Aluminum or fiberglass enclosures prevent sparking.
- Standard systems use brass fittings to eliminate sparking hazard.

Personal Protection

On-site, service and maintenance personnel can safely use *QED* equipment. Safety-in-use is the primary design feature in all systems. Following are some samples:

- All standard high pressure air hoses have automatic shut off quick-connects on the supply side which prevents injury due to hose whip or air blown particles. Tubing does not usually have quick-connect fittings, but is pushed over barbs or pushed into compression fittings.
- Metal regulators and filter bowls are rated for an inlet pressure of 200 psi. The metal air filter bowl is made of zinc, providing greater pressure and chemical resistance than plastic bowls and it is less prone to damage if dropped.

Spill Protection

On-site spills cannot always be prevented. *QED* equipment is designed to take into consideration such unpredictable occurrences that may happen despite strict adherence to standardized safety practices.

- The standard air and fluid hoses are rated at over 800 psi burst pressure to prevent accidental hose breakage.
- Down well quick-connects have locking features to prevent accidental disconnections.

Chapter 2: Overview

The AutoPump® fills and empties automatically, and is very easy to install, use, and maintain.

The AutoPump is a pneumatic fluid extraction pump that pumps in pulses. It handles any liquid which flows freely into the pump and is compatible with the component materials and with the connecting hoses.

The AutoPump is very versatile and available in a range of lengths and fluid inlet arrangements to meet particular site specifications.

Equipment will vary by application and site specifications. (See Chapter 3)

General Specifications

Pump Diameter		1.75 inch	44.5 mm
Pressure Range		5-130 psi	0.4-9.2 Kg/cm ²
Flow Range	Long BL	0 to 2.3 gallons per minute (GPM)	0 to 8.8 liters per minute (LPM)
	Long TL	0 to 1.9 gallons per minute (GPM)	0 to 7.2 liters per minute (LPM)
	Short BL	0 to 2.0 gallons per minute (GPM)	0 to 7.6 liters per minute (LPM)
	Short TL	0 to 1.6 gallons per minute (GPM)	0 to 6.1 liters per minute (LPM)

This is How it Works

The AutoPump is a submersible compressed air-driven pump which fills and empties automatically. It also controls the fluid level in a well automatically. The pump fills (**see Figure 1**) when fluids enter either the top or bottom check valve. Air in the pump chamber exits through the exhaust valve as the fluid fills the pump. The float inside the pump is carried upwards by the fluid rising inside the casing until it pushes against a stop on the control rod, forcing the valve mechanism to switch to the discharge mode.

The switching of the valve causes the exhaust valve to close and the air inlet valve to open. This causes the pump to empty (**see Figure 1**) by allowing compressed air to enter the pump. This pressure on the fluid closes the inlet check valve and forces the fluid up the discharge tube and out of the pump through the outlet check valve. As the fluid level falls in the pump, the float moves downwards until it pushes against the lower stop on the control rod, forcing the valve mechanism to switch to the fill mode. The outlet check valve closes and prevents discharged fluids from re-entering the pump. The filling and discharging of the pump continues automatically.

Note: The figures shown here are simplified schematics.

Major AutoPump Features

- The AutoPump System is small and lightweight and can be easily moved from site to site, allowing quick response to changing conditions.
- The hoses are color coded and all the fittings are different so only the proper connections can be made.
- Rugged construction ensures long system life, even under harsh conditions.
- The entire system is pneumatically powered with no electrical components, thus avoiding sparks in control power and sensing devices.

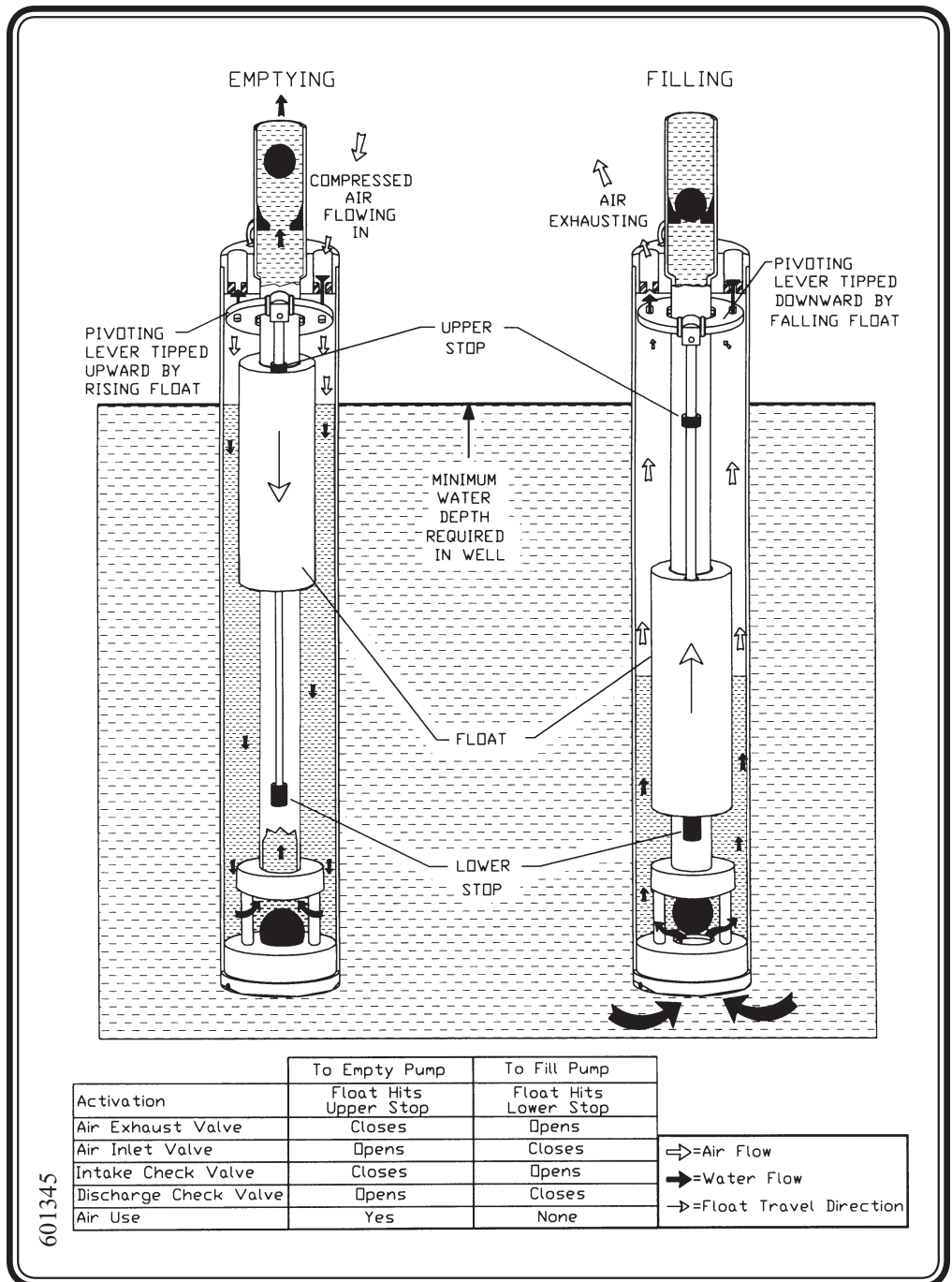


Figure 1 - How it Works

- The AP-2 only uses air while pumping. Unlike systems that rely on bleeding air sensors or timers which pressurize and depressurize the air hoses for each stroke, the air hose for the AP-2 remains pressurized to the pumps at all times. Air compressor power consumption, compressor filter maintenance, and thus operating costs are substantially reduced.
- The AP-2 can be configured to fill from the top or the bottom.

Figure 2 on the next page illustrates an overview of an AutoPump System.

The AP-2 System provides everything required for pumping fluid from a well. QED can also supply the air compressor, if desired.

The system is designed to perform for years and comes with a one year warranty.

Note:

An automatic drain on the compressor is highly recommended since it dramatically decreases air filter maintenance. QED can supply an automatic drain.

Caution:

Alteration of the System: Do not change or modify the equipment without the expressed written approval of QED.

Special Operating Conditions

Conditions may require adjustment or adaptations to the equipment. Below is a list of some of these conditions, their possible effects, and solutions.

Since every site is different, please contact your QED representative for detailed assistance if needed.

Cold Weather

Moisture in the pneumatic lines can freeze causing problems with the system. Such freezing could result in regulators not reducing the air pressure, valves sticking, and hoses clogging.

Actions To Take

- Use water traps and automatic compressor tank drains. These are available at industrial distributing companies (e.g., W.W. Graingers®).

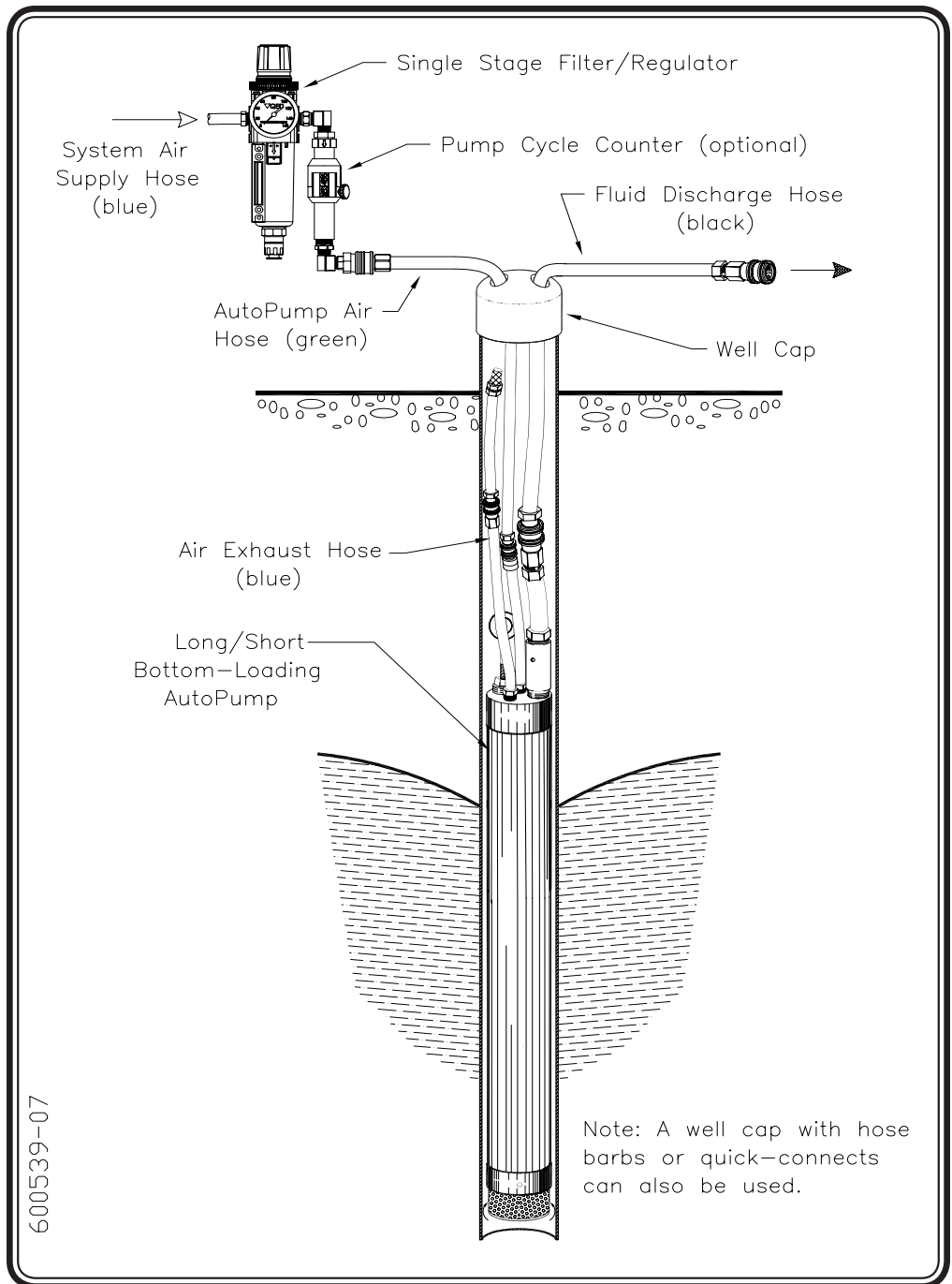


Figure 2 - Overview of the AutoPump System

- Reduce air line freezing by burying air hoses below the frost line, or insulating and heating with heat tape, or running hoses through a PVC pipe with warm air being blown through it.
- Remove all the moisture you can from the air by using drains on the compressor, filter, and low points in the air line. Use an air dryer to lower the dew point of the compressed air below the temperature of exposed lines.
- Protect the air regulator from freezing. During freezing conditions regulators may fail “open”, allowing high pressure (e.g. 150 psi from the compressor) to enter components (e.g. gauges, hoses, fluid receptacles) that may be damaged, cause a safety problem, or release contaminating material.
- Locate the air intake to the compressor so the coolest (driest) air is drawn in. Usually it is better to draw air from outside a building than from the inside.

Flow induced freezing

Although it rarely occurs, air flow through an AutoPump may cause freezing internally at water temperatures well above 32°F, slowing down the system. Cold water, moisture in the compressed air, high air pressure, a high pumping rate, and back pressure on the pump are variables that alone, or in combination with each other, may induce freezing. Should it occur, there are system adaptations which can decrease or eliminate the freezing. Please contact *QED* for advice.

The well is under a vacuum

The pump will work in a well that is under a vacuum, but there several conditions that must be considered.

(See Appendix D)

Abrasive particles in the well

Please contact QED service if you encounter problems with abrasives in the well.

Hard pipe air supply connection to the pump

These can cause debris and scale to travel down to the pump. It can also prevent the pump from cycling smoothly due to a solid connection (non-flexing) to the top of the pump.

Blow out all of the hard pipe before connecting the pump. A short (6 feet) length of hose should be used between the hard pipe and the pump to allow the natural movement of the pump to occur without restraint. A small screen filter should be used at the lower end of the metal air pipe to prevent scale from reaching the air valve.

Options and Accessories

The following options and accessories are available from *QED*. Contact your *QED* Representative regarding the following:

- **AP Data Module** – This water-resistant enclosure protects and shields surface instrumentation from weather and/or harsh site conditions while providing easy visual access to key system instrumentation readings. The options available for inclusion inside the NEMA 3R enclosure are a filter/regulator, pump cycle counter, level sensor regulator and gauge with air flow meter. Also included are a fluid level indicator with an On/Off switch, an Air Inlet Supply Gauge, and a Vacuum/Pressure reference with Gauge.
- **Pump Cycle Counter (PCC)** – A PCC counts the number of times a pump cycles. The counter provides information for maintenance, service, and statistical purposes with minimal loss in air pressure or performance. A PCC is easily attached on the air inlet hose to the pump.
- **TFSO** – The Tank-Full Shut-Off (TFSO) System is a unique, self-contained pneumatic system that shuts down other pneumatic systems in the event of a liquid level rise or a pressure increase in a container. The TFSO provides dual safety by using two sensors. The system is expandable—the button sensor of the system can be teed to monitor many containers.
- **Inlet Conversions** – AutoPumps can be converted from Top- to Bottom-Loading and vice versa. See **Appendix C** for more information.
- **Extended Leachate Screens** – (see figure 5)

Chapter 3: Equipment

Unpacking

During the unpacking procedure, check for the following:

- All parts on the packing list have been included in the box
- All fitting openings are unobstructed
- The equipment has not been damaged in shipment

Equipment List

The equipment list will vary depending on site specifications, but the following list is a typical configuration.:

1. Top-Loading or Bottom-Loading AP-2 with support eyebolt
2. Single stage filter/regulator with:
 - 5 micron filter with manual drain (auto drain option)
 - Pressure regulator with gauge
3. Pump Cycle Counter (PCC)
4. Hoses:
 - Fluid discharge hose (black)
 - System air supply hose (blue)
 - AutoPump air hose (green)
 - Air exhaust hose (blue)

Note:

Black nylon tubing can be used in place of hose.

5. Pump support system:

- Well cap
- Polypropylene support rope with quick-link assembly or SS wire rope

Tools

The following tools are used to service the AP-2:

- Spanner wrench
- 3/32-inch Hex (Allen) key
- 6-inch Crescent wrench

Parts List

In aggressive sites over millions of cycles, the parts that one may anticipate replacing are:

- Discharge check valve ball

AP-2 AutoPumps

In both the Bottom-Loading and the Top-Loading models, the fluid is pushed out of the pump through a check valve located at the top of the pump. This check valve prevents the fluid from reentering the pump.

Bottom-Loading AP-2/BL

The Bottom-Loading AutoPump fills through a check valve at the bottom of the pump. There are two lengths of AP-2/BL: long and short. The fluid level in the well can be drawn down to 35 inches from the bottom of the long BL, and 20 inches from the bottom of the short BL (**See Figure 3**)

Top-Loading AP-2/TL

The Top-Loading AutoPump fills through a check valve at the top of the pump, therefore the fluid level in the well will never go below the level of this check valve. There are two lengths of AP-2/TL: long and short (**See Figure 4**)

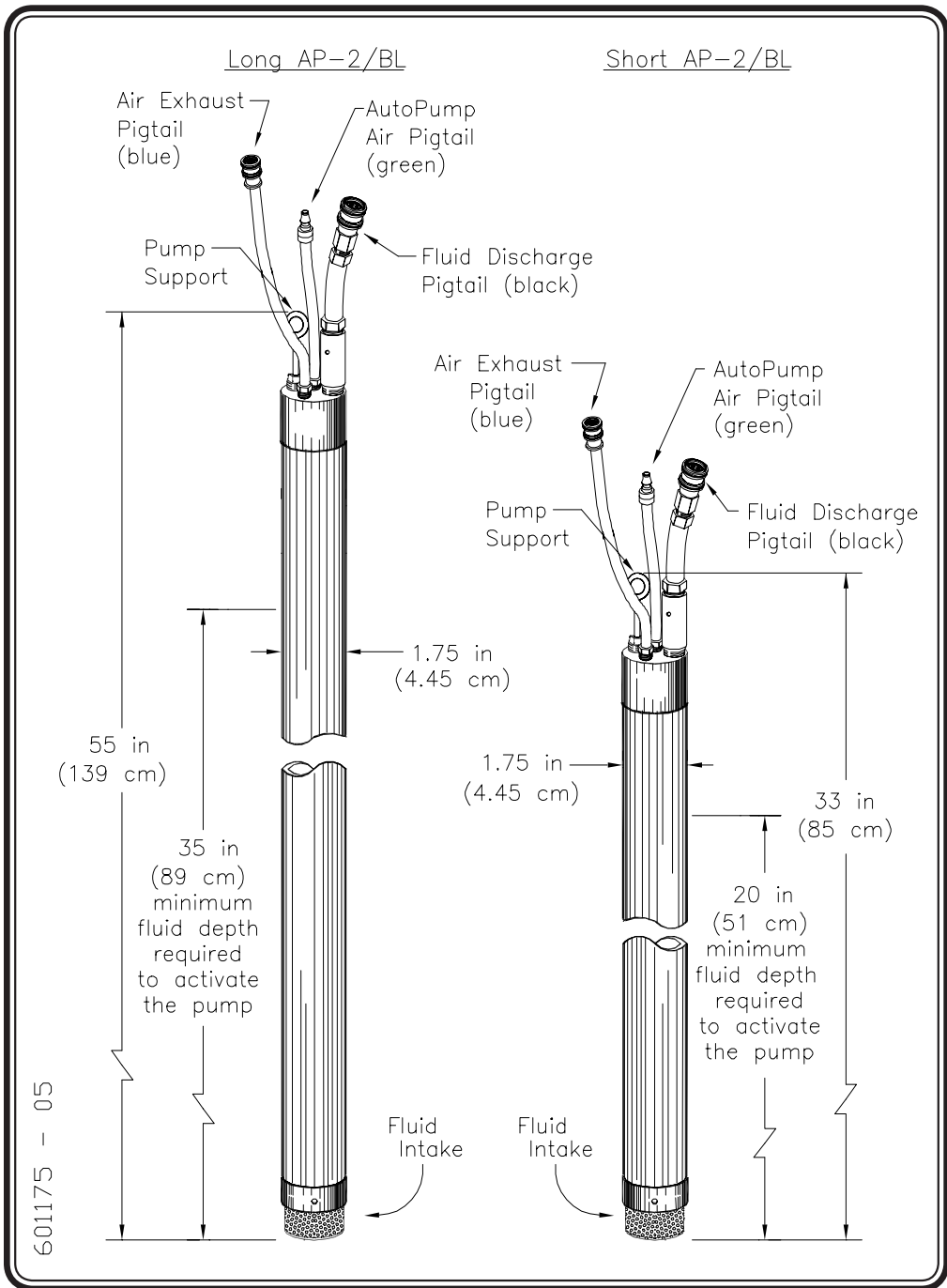


Figure 3 - Long and Short Bottom-Loading (AP-2/BL)

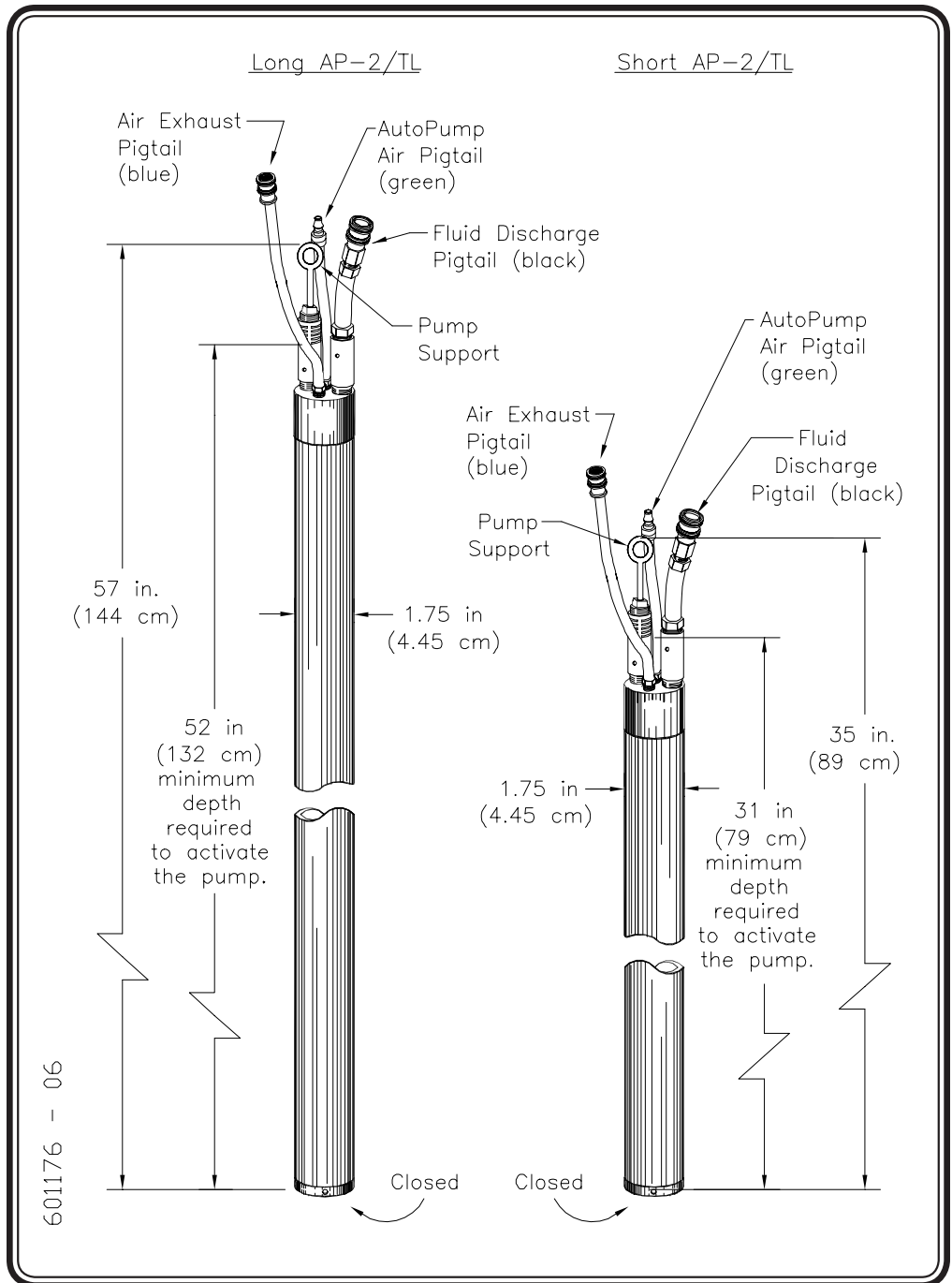


Figure 4 - Long and Short Top-Loading (AP-2/TL)

Specifications

Pump	Length	Vol/Cycle Range	Weight	Outside Diameter
Long AP-2/BL	55-inches 139-cm	0.14 gal - 0.17 gal .53 L - .64 L	7.8 lb 3.6 kg	1.75-in 4.45-cm
Short AP-2/BL	33-inches 85-cm	0.05 gal - 0.08 gal .19 L - .30 L	5.4 lb 2.5 kg	1.75-in 4.45-cm
Long AP-2/TL	57-inches 144-cm	0.14 gal - 0.17 gal .53 L - .64 L	7.8 lb 3.6 kg	1.75-in 4.45-cm
Short AP-2/TL	35-inches 89-cm	0.05 gal - 0.08 gal .19 L - .30 L	5.4 lb 2.5 kg	1.75-in 4.45-cm

Component Materials

Component materials include stainless steel, Viton, nylon, epoxy, PTFE (e.g.-Teflon), polyethylene, titanium, PVDF (e.g.-Kynar). Hose connections can be brass or stainless steel.

Materials may vary depending on site specific needs.

Performance and Air Use Curves

See Appendices A and B.

Landfill Pump Configurations

All lengths (Long and Short) and intake configurations (Bottom-Loading) are available in models for landfill leachate, condensate pumping and dewatering applications. (See Figure 5)

Landfill Pump Specifications

Pump	Length	Vol/Cycle Range	Weight	Outside Diameter
Long AP-2/BL	57-inches 144-cm	0.14 gal - 0.17 gal .53 L - .64 L	7.9 lb 3.6 kg	1.75-in 4.45-cm
Short AP-2/BL	35-inches 89-cm	0.05 gal - 0.08 gal .19 L - .30 L	5.5 lb 2.5 kg	1.75-in 4.45-cm

Component Materials

Component materials include stainless steel, Viton, nylon, epoxy, PTFE (e.g.-Teflon), polyethylene, titanium, PVDF (e.g.-Kynar). Hose connections are usually stainless steel. Materials may vary depending on site specific needs.

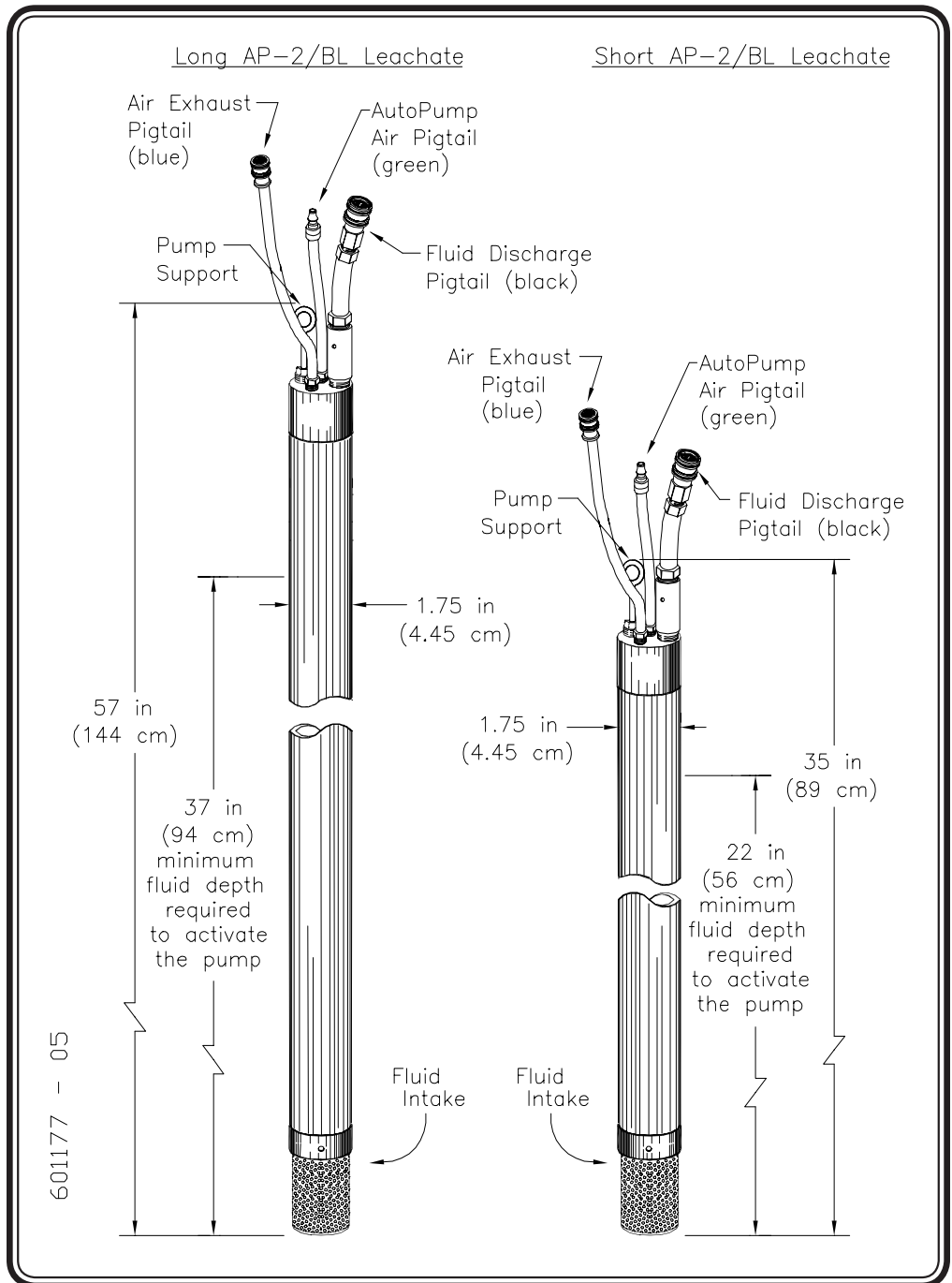


Figure 5 - Long and Short AP-2 Bottom Loading with Leachate Screen

Single Stage Filter/Regulator

A single stage 5 micron particulate air filter/regulator has an a manual or an optional automatic drain and is installed on the system air supply hose. The filter/regulator removes particles and some oil vapor, and water droplets from the air passing to the AP-2. The regulator should produce at least as much pressure as required to move the fluid from the depth at which the pump is installed. (See Figure 6)

Note:

Too much air pressure can result in low pump efficiency.

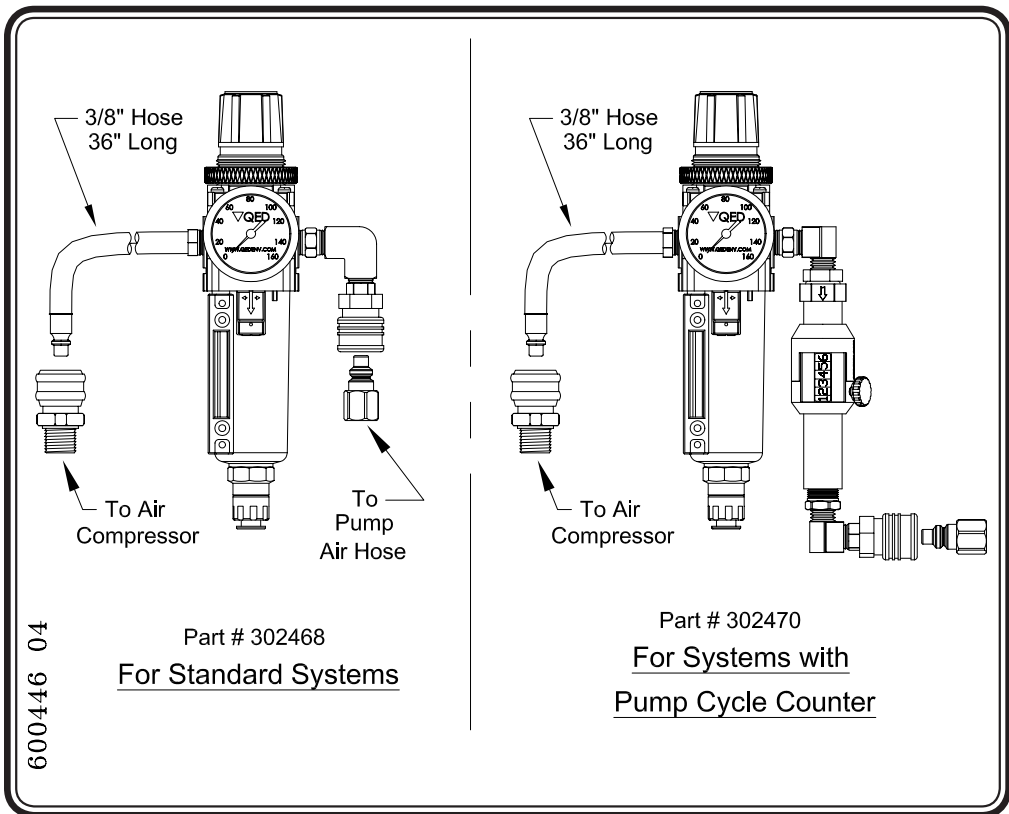


Figure 6 - Single Stage Filter/Regulator with Quick-Connects

Hoses and Fittings

The table below shows the normal hose colors. These may change due to application or need.

Hose and Tubing Color Code Table

	System Air Supply Hose	Fluid Discharge Hose	AutoPump Air Hose	Air Exhaust Hose
Hose Color	Blue	Black	Green	Blue
Hose Material	Nitrile	Nitrile	Nitrile	Nitrile
Hose Size I.D.	1/4-inch to 3/8-inch	1/2-inch to 3/4-inch	1/4-inch to 3/8-inch	3/8-inch to 1/2-inch
Tubing Color	Black	Black	Black	Black
Tubing Material	Nylon or Polyethylene	Nylon or Polyethylene	Nylon or Polyethylene	Nylon or Polyethylene
Tubing Size O.D.	3/8-inch to 1/2-inch	3/4-inch to 1-inch	3/8-inch to 1/2-inch	1/2-inch to 3/4-inch
Function	Transports air from air compressor to filter/regulator	Transports product from AutoPump to discharge point	Transports air from filter/regulator to AutoPump	Exhausts air from AutoPump
Fittings	Hose barb and clamp or one-way quick-connect fitting	Hose barb and clamp or straight through quick-connects	Hose barb and clamp or one-way quick-connect fitting	Hose barb and clamp or straight through quick-connects

* Nylon tubing is available in single tube or jacketed bundles. Contact QED for the sizes and bundle configurations.

If optional quick-connects are used, the flow of air and fluid in the hoses runs *into* the male plug and *out* of the female socket.

The quick-connect fittings on one type of hose will usually not interchange with those of another, so it is very difficult to connect a hose to an incorrect fitting.

Note:

The down well hose fittings normally have locking quick-connects. On sites with water depths over 50 feet, special consideration may be required to support the hoses. Consult with *QED* regarding such applications.

Pump Cycle Counter

Refer to Appendix F – Pump Cycle Counter

Volumes Pumped Per Cycle

- The volume of fluid pumped per cycle from an AutoPump varies depending upon the inlet air pressure, the fluid inlet head and the force against which the pump must move the fluid. This force is a sum of the static head and dynamic losses incurred during fluid movement, usually referred to as Total Head.
- The Total Head depends upon back pressure in the surface lines, hose size, fittings, vertical and horizontal pumping distance, the number of pumps feeding the hose system, air pressure to the pump, and the type of pump.
- The effects of some of these variables may cause the volume pumped per cycle to vary from pump to pump on a single site.

Pump	Volume per Cycle: Range	Volume per Cycle: Average
Long AP-2/BL	0.14 gal - 0.17 gal 53 L - .64 L	0.155 gal .59 L
Short AP-2/BL	0.05 gal - 0.08 gal .19 L - .30 L	0.065 gal .25 L

All figures above are dependent on site specific conditions under which the pump is operating

Pump Support System

To safely support the AP-2, a pump support system is offered. Included in the system are a well cap, support rope, and quick-link assembly.

(See Figure 12 on page 33, and Figure 13 on page 34)

Well caps with various fitting combinations are available.

(See Figure 11 on page 31)

Caution:

Although it may be possible to support the pump using only tubing, it is not always wise to do so. If a pump becomes jammed in a well, a strong rope or wire rope separate from the tubing may be needed to withstand the force required to free it. Thus a separate support line is recommended.

Chapter 4: Assembly & Installation

WARNING:

PVC pipe is generally not recommended for compressed air service.

Cautions

The following suggestions are offered to reduce the complications involved in assembly and installation.

- Cover the hose ends with tape if they are being pulled through trenches. Be sure the ends of the hoses that connect to the air compressor and fluid discharge have the correct fitting leading out of the well. If you are unsure, look at the respective fittings on the pump.
- Blow out all water and particles from compressed air conduits (trunk lines, sensor hoses, air supply hoses etc.) and fluid lines for at least 10 seconds after the water and particles exit before connecting them to the system.
- When running hoses in conduit, include a rope to pull additional hoses in case they are needed at a later date
- If solid metal piping is used for compressed air conduit, it is advised that an air filter or a “Y” strainer with a fine mesh screen (80 mesh or finer) be placed at the downstream end of the piping. Metal flakes, rust, galvanizing material, dirt, etc. can be dislodged from such metal piping and travel to the pump.

Compressed Air Supply

The AP-2 System includes a compressor-to-pump air line quick disconnect fitting for the compressor.

There is a distinct air inlet on the AP-2; an “IN” is stamped next to it on the head of the pump. The air inlet quick connect fitting on the pump has a female counterpart on the air inlet hose. The air inlet must be connected for the AP-2 System to function. Do not lubricate the compressed air coming out of the compressor. The AP-2 does not require lubrication and excess oil may foul the filter/regulator.

WARNING:

The compressor should not provide more pressure than the filter can accept. The metal bowl can accept 200 psi. Maximum output air pressure setting on the standard regulator is 120 psi. A higher pressure regulator and gauge are optional.

Component Assembly

Quick-Connects/Hose Barbs

Follow the instructions on **Figure 7** for properly securing the locking quick-connects. See **Figure 8** for properly securing hose barbs.

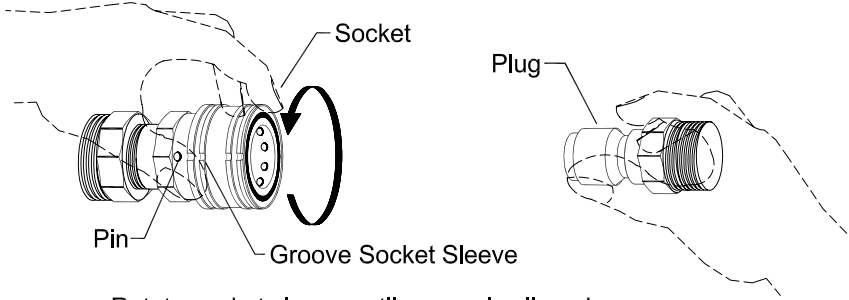
AutoPump Assembly

STEP 1 - Attach Fluid Discharge Hose (black)

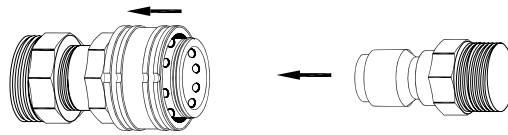
Note:

If a well cap with holes is used, insert the hoses through the cap before attaching hose.

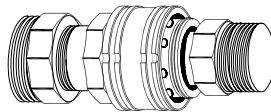
- a. Attach the fluid discharge hose or tubing to the AutoPump.
(See **Figure 9** and **Figure 10**)
- b. Attach the other end of the discharge hose to the fluid discharge point.



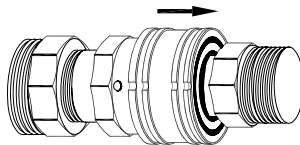
a. Rotate socket sleeve until groove is aligned with the pin close to the hex.



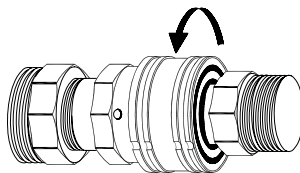
b. Pull socket sleeve against the hex (the pin will be totally covered). Hold in this position for plug insertion.



c. Push plug into socket until the plug is almost covered.



d. Let the socket sleeve go in. It must slide all the way until the pin is visible again.



e. Rotate the socket sleeve so the groove does not align with the pin. To test, gently pull hexes of both fittings in opposite directions. Fittings must remain attached.

600259 02

Figure 7 - Locking Quick-Connects

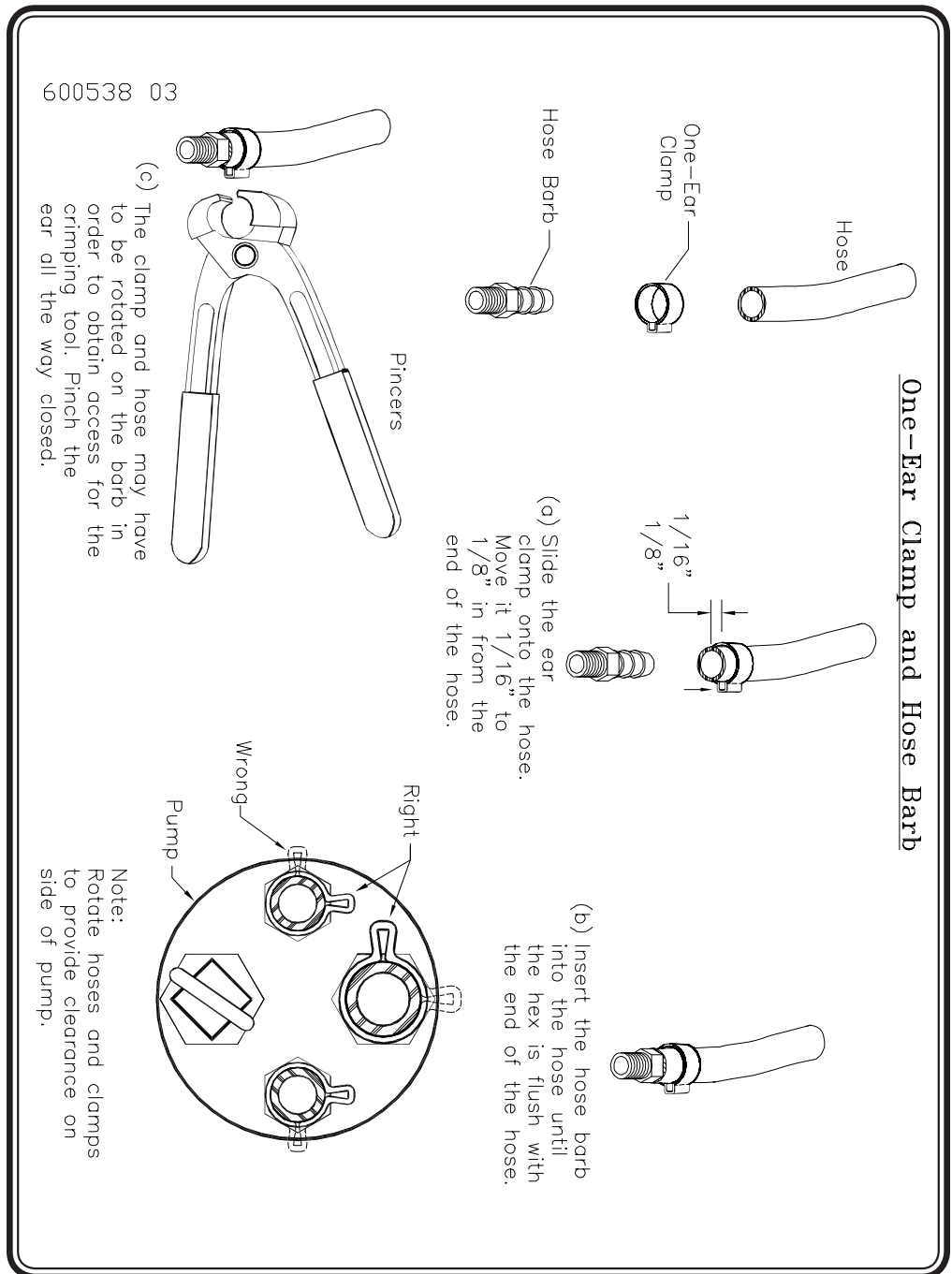


Figure 8 - One-Ear Clamp and Hose Barb Assembly Instructions

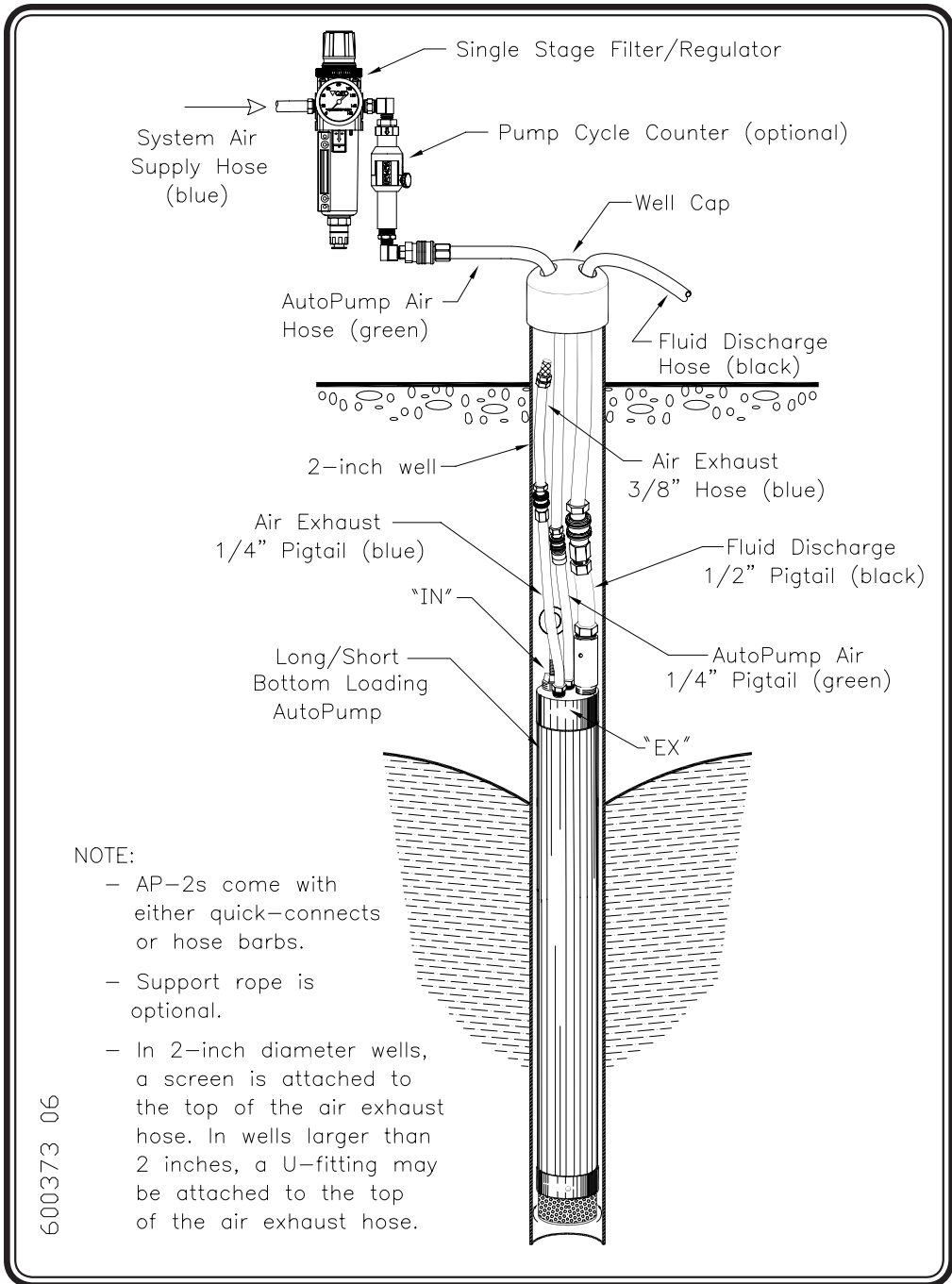


Figure 9 - AP-2 Assembly: Well Cap with Holes

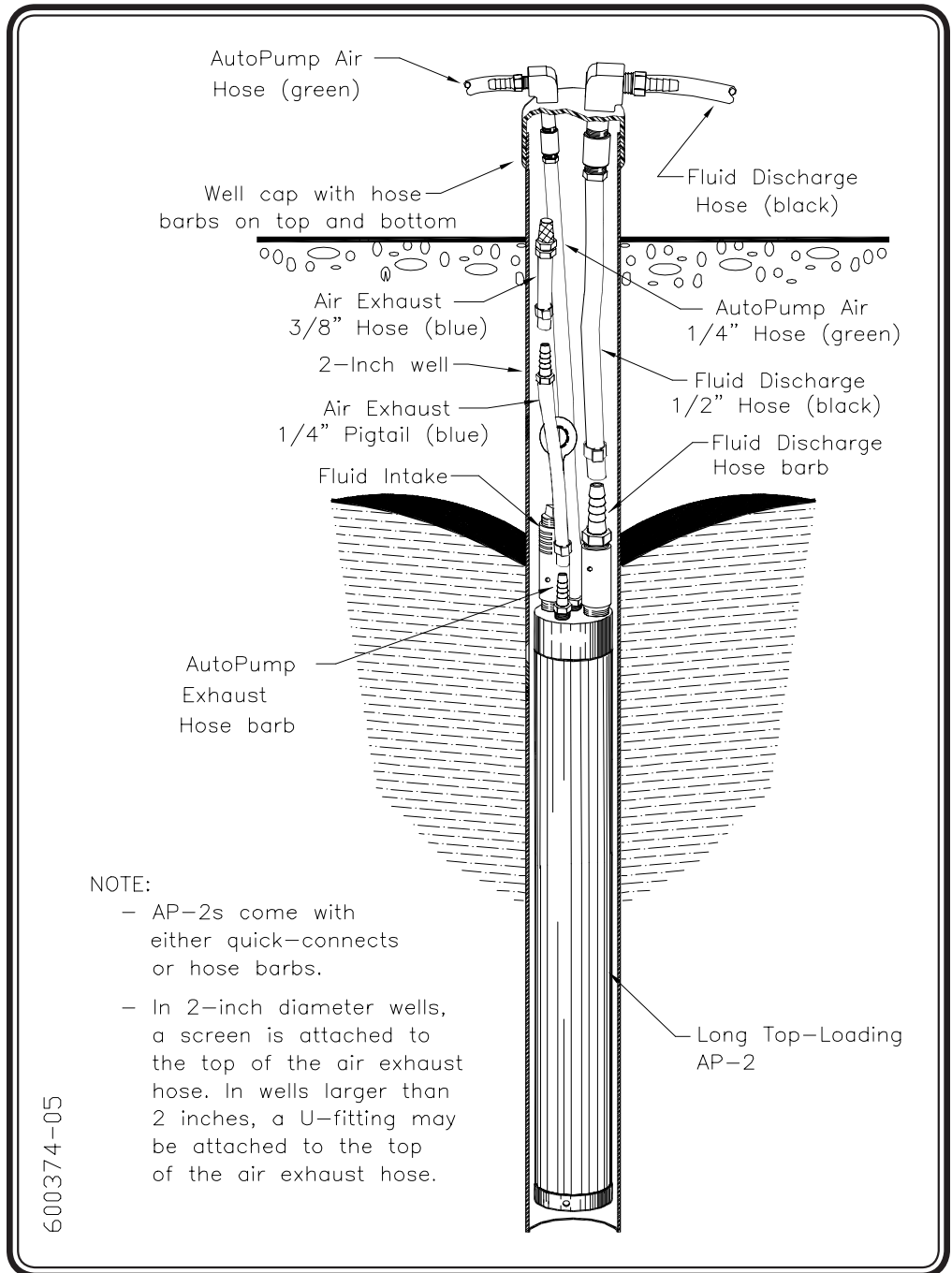


Figure 10 - AP-2 Assembly: Well Cap with Hose Barbs

STEP 2 - Attach AutoPump Air Hose (green)

- a. If a Pump Cycle Counter (PCC) is used, install it downstream of the air filter regulator and as close to the pump as is reasonable.
- b. Attach the AutoPump air hose to the single stage filter/regulator or optional Pump Cycle Counter **(See Figure 2 on page 9)**
- c. Attach the other end of the AutoPump air hose to the AutoPump.

STEP 3 - Attach Air Exhaust Hose (blue)

- a. Attach the air exhaust hose to the AutoPump.
(See Figure 9 and Figure 10)

STEP 4 - Attach System Air Supply Hose (blue)

- a. Thread the air hose socket with 1/4-inch MPT to the compressor. Use Teflon tape or sealant on the threads.
- b. Attach the air hose plug end of the system air supply hose to the socket now attached to the compressor.
- c. Attach the socket on the discharge end of the hose to the single stage filter/regulator. **(See Figure 2 on page 9)**

The pump will work in a well that is under vacuum, but there are several conditions that must be considered. **(See Appendix D)**

Dry Test

Before installing the AutoPump in the recovery well, it is important to test the system for proper operation. Before beginning this test, make sure that all hoses are properly connected as described in the previous section.

To test for float movement and air valve actuation follow these steps:

STEP 1 - Drain all fluid from the pump through the bottom inlet check valve (Bottom-loading) or air inlet fitting (Top-loading).

STEP 2 - Hold the pump horizontally.

- STEP 3 -** Tip the top of the pump downwards to about 45°. The float should slide to the top of the pump and open the air valve. Air should be heard going into the pump. It will exit the inlet fluid check valve (Bottom-loading) or the outlet check valve (Top-loading).

Caution:

If air is not acceptable in the fluid discharge hose, disconnect the hose before performing this test.

- STEP 4 -** Tip the head of the pump upwards past horizontal to 45° from the vertical. The float should slide to the bottom of the pump and close the air valve.
- STEP 5 -** Repeat this process 3 or 4 times to ensure the float moves freely and the air-valve opens and closes. If the pump must be tilted nearly vertical before the float slide or the air valve moves, open the pump and inspect for interference.

Pump Support System and Hose Bundling Assembly

A pump support system can be created to support the pump and hoses. The pump support system uses well caps with various fitting combinations. (See **Figure 11**)

Though it is possible in some instances to support a downwell pump with only the tubing, a separate support line is recommended.

Note:

The walls of some wells deform over time. They may trap a downwell pump. In some of those cases the support line has proven useful when retrieving the pump.

In addition to supporting the down-well equipment with a support rope, it may be important to support down-well hoses (in most cases nylon tubing does not need to be supported by the support line). Since the down-well hoses can weigh more than the pump, particularly in wells over 50 feet deep with fluid inside the discharge hose, hose support can avoid problems such as kinking, jamming, and breaking.

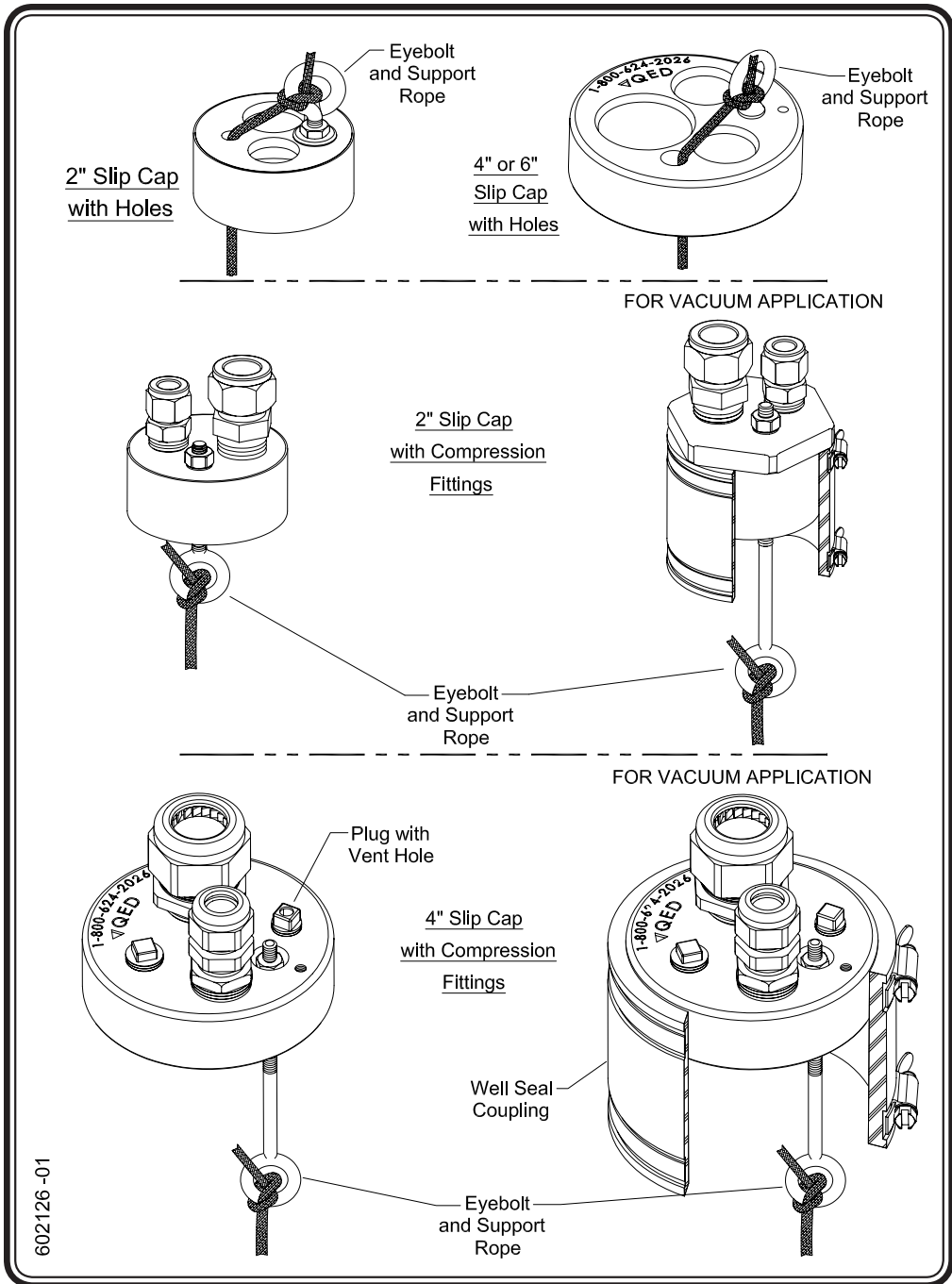


Figure 11 - Examples of Well Caps

Hose bundling or the use of jacketed tubing reduces equipment entanglement at the well surface, and aids the removal of the pump from the well. Bundling also assists in positioning the pump and down-well hose assembly against one side of the well casing. Maximum space is created for other items, such as probes, to be periodically placed inside the well.

Follow these instructions to create a hose bundle.

- STEP 1 -** Lay the equipment on the ground and make all of the necessary hose connections. **(See Component Assembly on pages 24 through 30)**
- STEP 2 -** If a well cap is supplied, install it on the hoses. **(See Figure 9** for well cap with holes; **see Figure 10** for well cap with hose barbs)
- STEP 3 -** Connect the quick-link assembly on the support rope to the eye on the AP-2 and lay the support rope out along with the hoses. Make sure that none of the hoses or support ropes are crossing over each other. **(See Figure 12)**

Note:

To make the next step easier, pull the support rope and the hoses taut.

- STEP 4 -** Starting at the AutoPump end of the hose, put a tie-wrap through the center of the braided support rope just above the uppermost quick-connect or barb on the AutoPump. **(See Figure 12 and Figure 13)**
- STEP 5 -** Pulling the rope taut, put the tie-wrap around the fluid discharge hose with the rough surface outwards. Cross the ends and complete the figure-8 pattern by securing the ends around the exhaust hose. When you connect the tie-wrap make sure it is straight and is not kinking the hoses. **(See Figure 12 and Figure 13)**

Note:

After completing this step, the fluid discharge hose will be attached to the support rope and the exhaust hose. At this point the air supply hose is still lying free.

- STEP 6 -** Place the next tie-wrap two feet towards the well cap from the first. Secure the air supply hose rather than the exhaust hose.

Note:

It is important to put the tie-wraps approximately two feet apart to keep a proper discharge hose/support rope bundle. Experience has shown that spreading the tie-wraps further apart than two feet increases the probability for hose kinking.

600551 03

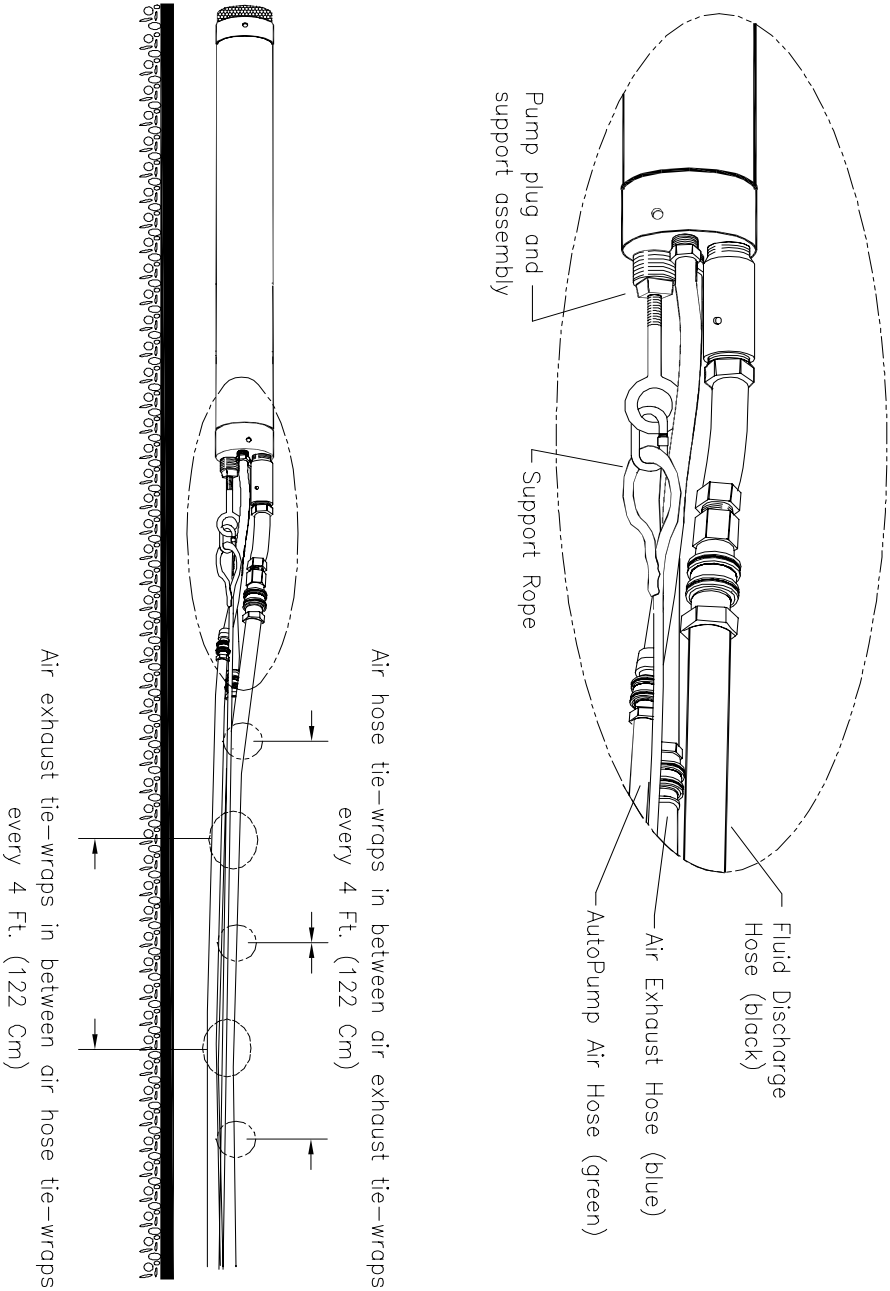


Figure 12 - Hose Bundling: Part 1 of 2

600487 03

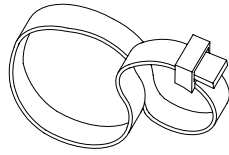


figure Eight tie-wrap layout

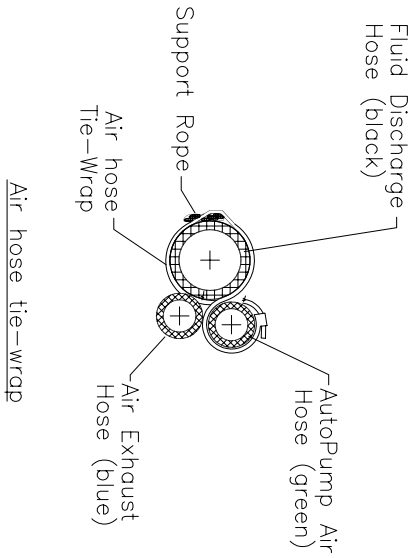
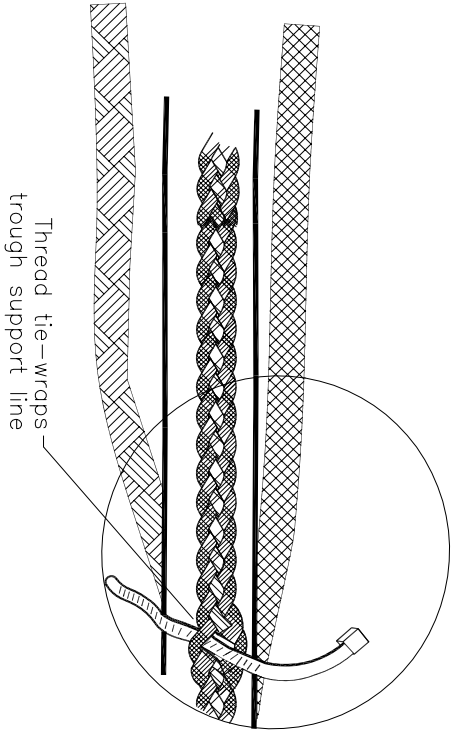
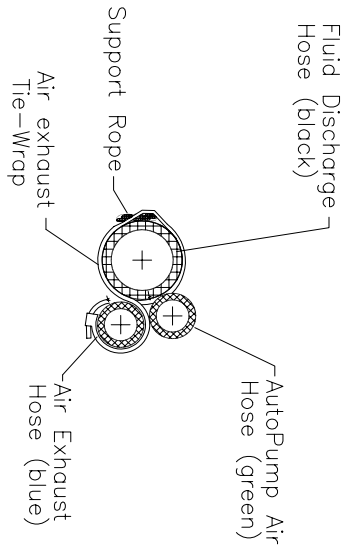


Figure 13 - Hose Bundling: Part 2 of 2

- STEP 7-** Continue to alternate the air exhaust and the air supply tie-wraps every two feet, stopping about five feet from the wellhead.
- STEP 8-** Being careful not to leave any sharp edges, cut the excess from the tie-wraps.

You now have a down-well bundled hose assembly that supports both the hoses and the down-well equipment.

AutoPump Installation

Once the installation of the pump support system is completed, you may install the AutoPump in the recovery well.


Note:

Submerging the pump before supplying it with air will result in fluids entering the exhaust hose. Those fluids will be discharged from the exhaust hose during the first few cycles of the pump. If such discharge will not be confined to the well, the operator may wish to install the pump with a low air pressure supplied to the pump. To obtain the value of that low pressure in psi, multiply the number of feet that the pump is to be submerged by one-half (0.5)

WARNING:

Be sure that the fluid discharge has a closed valve during such process because the pump may have enough pressure to begin pumping fluid from the well.

- STEP 1 -** Lower the pump until it is at the desired level.
- STEP 2 -** Secure the pump by tying off (securing) the support line or by placing the well cap on the well.
- STEP 3 -** Increase the air pressure to the pump until the pump is pushing the fluid out at the desired rate. With sufficient air pressure (at least 10 to 15 psi over the vertical static head), the AutoPump will gradually draw down the fluid level in the well to the level of the pump. The time required for this draw down varies with the yield of the well as compared to the flow rate of the pump. The maximum recommended continuous operating pressure is 130 psi.



The pump rate can be increased slightly by increasing the air pressure to the pump. However, under conditions with high inlet pressures and little discharge resistance, some air may exit with the fluid. That would be due to a brief residual pressure in the pump which discharges fluid (and air) even after the exhaust valve is opened.

Under normal operating conditions, no air should exit the pump with the fluid.

If the pump is moving air out the fluid discharge and this is undesirable, a needle valve in the air line can be used. This reduces the air flow rate to the pump and thus the pressure buildup in the pump. Alternately, reduce the pressure going to the pump through the pressure regulator.

Chapter 5: Start Up and Operation

Start Up Checklist

In normal operation, the AutoPump System requires little attention.

Before regulating the air pressure to the desired operating pressure, ensure that the following conditions exist:

1. Personal Protective Equipment (PPE) is being used by all personnel.
2. The pump is submerged below the fluid level.
3. All hoses are connected.
4. The exterior air filter is mounted vertically to allow the filter and its bowl drain to operate properly.
5. All out-of-well air and fluid valves are in their correct positions.
6. A method of rapid disconnect and exhaust (or at least a shut off) of compressed air to the pump is available in case of an unexpected occurrence.
7. When pumping is to begin, either gradually raise the air pressure to the pump or gradually open the air valve to the pump to allow the pump and hoses to slowly pressurize. Check for leaks as you do this.
8. As the air pressure overcomes the static and dynamic resistant forces, the pump will begin to cycle. Listen for the periodic exhaust of air from the pump to determine that the pump is working. The pump should push fluid out and then exhaust sharply to fill before pressurizing and pushing the fluid out again.

Cycling can also be monitored by placing an air pressure gauge at the well head and by observing a pulse counter, if one is present.

Adjusting the Pump Cycle Counter

Refer to Appendix F – Pump Cycle Counter

Observation of System Operation

Observe the system operation for at least 10 pump cycles to ensure everything is working. If the well influx is low so the pump seldom cycles, pour clean water into the well to check on the pump. If allowed, the pump discharge can be directed into the well so the pump will cycle within an acceptable period to allow for observance of operation. Check your local regulations to determine if these practices are permissible.

Note:

The Pump Cycle Counter may have to be readjusted if it is set when the water is recirculating to the well.

After the entire site is operating, return to each well to ensure that the pump and PCCs are functioning properly. The addition of other pumps and possible system back pressure can necessitate air pressure and counter readjustment.

Downwell Testing of the AutoPump

While the AutoPump is in the well, it can be tested by putting compressed air into the exhaust hose of the pump.

Note:

The air supply hose must be shut off or pressurized when this is done.

The compressed air will enter the pump through the exhaust valve and push any fluids in the pump up the discharge tube. If sufficient compressed air is continually supplied, it will also exit the discharge tube and cause the fluid in the discharge hose to be airlifted to the surface. This method can be used to lighten the pump and hoses before removing the pump from the well. This process can also show whether the fluid inlet check valve is sealing and if the pump is capable of discharging fluid.

AutoPump Shutdown while Submerged

The AutoPump can be submerged for long periods of time at most sites. If the well environment is such that deposition occurs on stainless steel parts, the operator may wish to raise the pump above the water level during a shutdown of the system.

AutoPump Removal Technique (optional)

By pressurizing the exhaust hose as noted above and airlifting the fluids out of the well, the fluid in an AutoPump and discharge hose can be reduced significantly. This can be used to lighten the system before removing it from the well.



Chapter 6: Maintenance

General Maintenance

The AutoPump should be relatively free of maintenance. The frequency of maintenance depends upon the nature of the fluids being pumped. Follow these general maintenance checks.

- Periodically inspect all hoses and connections for damage. Make sure that the hoses are not split or cracked, and listen for leaks in the system.
- Even if significant amounts of water enters the air hose, the AP-2 System should perform reliably for years. Check the air filters and filter bowl drains on the filters/regulator for saturation and operation every few weeks.
- Periodically drain the air filters on the air hose to the pumps of collected particles, water and oil. Draining prevents the filter from clogging up or being otherwise damaged. Check the regulator to ensure the pressure setting has not drifted appreciably.
- An automatic drain on the compressor is highly recommended, since such an addition can dramatically increase air filter life and decrease maintenance. Automatic drains are available from QED.
- The pump can be opened up in the field if the area is clean and dry.

Maintenance Table

A visual check and/or maintenance is recommended at least once every two weeks, but some site environments may demand more frequent service. The following table outlines the recommended minimum schedule for the AP-2 System.

Equipment	Biweekly	Monthly*	As Required
Air Quality Check • Single Stage Filter/Regulator	X		
AutoPump Service			X
Check Pump Cycle Counter	X		
Check Volume Pumped Per Cycle		X	

* Site conditions may require maintenance more often.

The following sections describe each maintenance activity in detail.

Air Quality Check

Single Stage Filter/Regulator Maintenance

Even using air which has some oil and water in it, the AutoPump System should operate trouble-free for years. The air filter is normally a 5 micron filter with a replaceable element.

To replace the element in the air filter on the single stage filter/regulator use the following procedure:

STEP 1 - Disconnect Air Source

- Valve off the air supply and drain the downstream air to the air filter. Or disconnect the blue system air supply hose from the single stage filter/regulator. The air filters will depressurize, allowing them to be safely serviced.

WARNING:

Do not remove a filter bowl that is pressurized.

STEP 2 - Remove Filter Bowl

- Different styles of air filters are available. The following instructions are given for the most typical filter used, one with 1/4" pipe thread.
- Remove the bowl of the air filter by sliding the button downward and twisting the bowl about 1/8 of a turn. The bowl should slide downward from the upper portion of the filter revealing the filter element. Unscrew the element as you would unscrew a light bulb. Hand tighten the element after replacing it.

Make sure to replace the correct filter element.

- Blue or black filter bowl:
QED Filter element Part No. 205071
- Silver filter bowl:
QED Filter element Part No. 205800

STEP 3 - Bowl Drain

Optional Float Drain

- Wash out any deposits and oil buildup from the filter bowl with warm water and soap. To make sure the float drain is operating freely, shake it; the drain should rattle. Test the float drain by filling the bowl with water, assembling the bowl to the filter and reconnecting it to the air supply. The water should drain from the bowl. When under pressure, the drain should not leak.

Standard Manual Drain

- With water in the bowl, open the drain and ensure the liquid drains easily. When under pressure and closed, the drain should not leak.

AutoPump Service

AutoPump Shutdown and Removal from Well

To shut down and remove the AutoPump, follow these directions:

STEP 1 - Wait until the pump is in its discharge cycle and then raise it above the water level in the well. This will empty most of the fluid from the pump making it lighter to lift. There will also be less fluid to drain from the pump.

Note:

See Start Up and Operation for optional pump removal technique.

STEP 2 - Pull the pump and hoses to the surface.

STEP 3 - Shut off the air to the pump and disconnect the air hose from the pump.

STEP 4 - Ensure that there is a safe place to drain any fluid from the pump and discharge hose.

STEP 5 - Disconnect the fluid discharge hose from the pump.

STEP 6 - Drain the fluid by turning the pump upside-down and allowing fluid to flow from the air inlet fitting.

Caution:

Wear gloves and catch the draining fluid in a sump or bucket.

Removing Pump Casing

Follow these instructions for removing the pump casing:

Caution:

When assembling or disassembling the pump, do not rotate the casing. If the casing is turned and if any resistance is felt, stop. This action may cause the float and control rod to rotate with the casing. Instead of rotating the casing, spin the bottom check valve (or plug on a Top-Loading pump) and hold the casing stationary.

Caution:

After troubleshooting is completed and before assembling the pump, slowly move the float through its range to ensure that the lever trips, even if the pump fills and empties slowly.

- STEP 1 -** Insert and hold a spanner wrench on the circumference of the lower head. Rotate a spanner wrench counterclockwise on the lower head assembly. Hold the casing with a handle or a strap wrench. **(See Figure 14)**

Caution:

Do not leverage any tool against the air inlet or air exhaust fittings. This could damage the fittings.

- STEP 2 -** Once the lower head is unscrewed and removed from the discharge tube, pull the lower head assembly out of the casing.

- STEP 3 -** If the lower head remains in the casing, turn it and remove it from the pump casing.

Note:

The O-rings at the top and bottom of the pump may have swollen due to solvents in the fluid being pumped and therefore make turning the lower head difficult. Prevent the outer casing from turning while removing the lower head.

Cleaning Pump Interior

The inner workings of the pump should now be exposed for inspection and cleaning. **(See Figure 15, Figure 16, Figure 17, Figure 18, and Figure 19)**

Note:

A Scotch Brite® abrasive pad is useful for cleaning debris from the pump components.

- STEP 1 -** Gently brush off built-up solids from the float, the discharge tube, the pump casing, and the control rod guide.

- STEP 2 -** The pump can be steam cleaned without damage.

- STEP 3 -** Remove thick deposits of hardened scale on the discharge tube by using a handbrush.

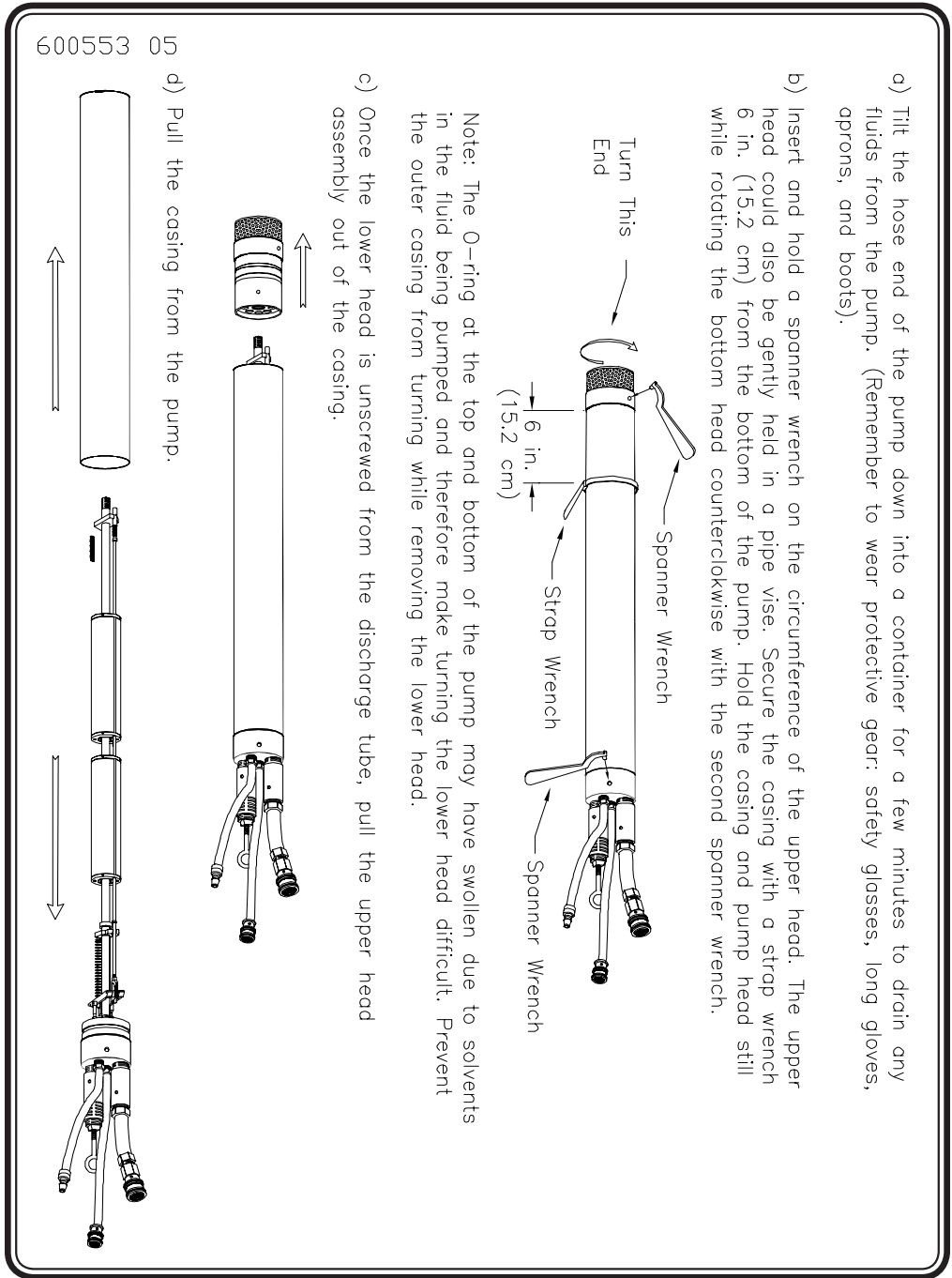
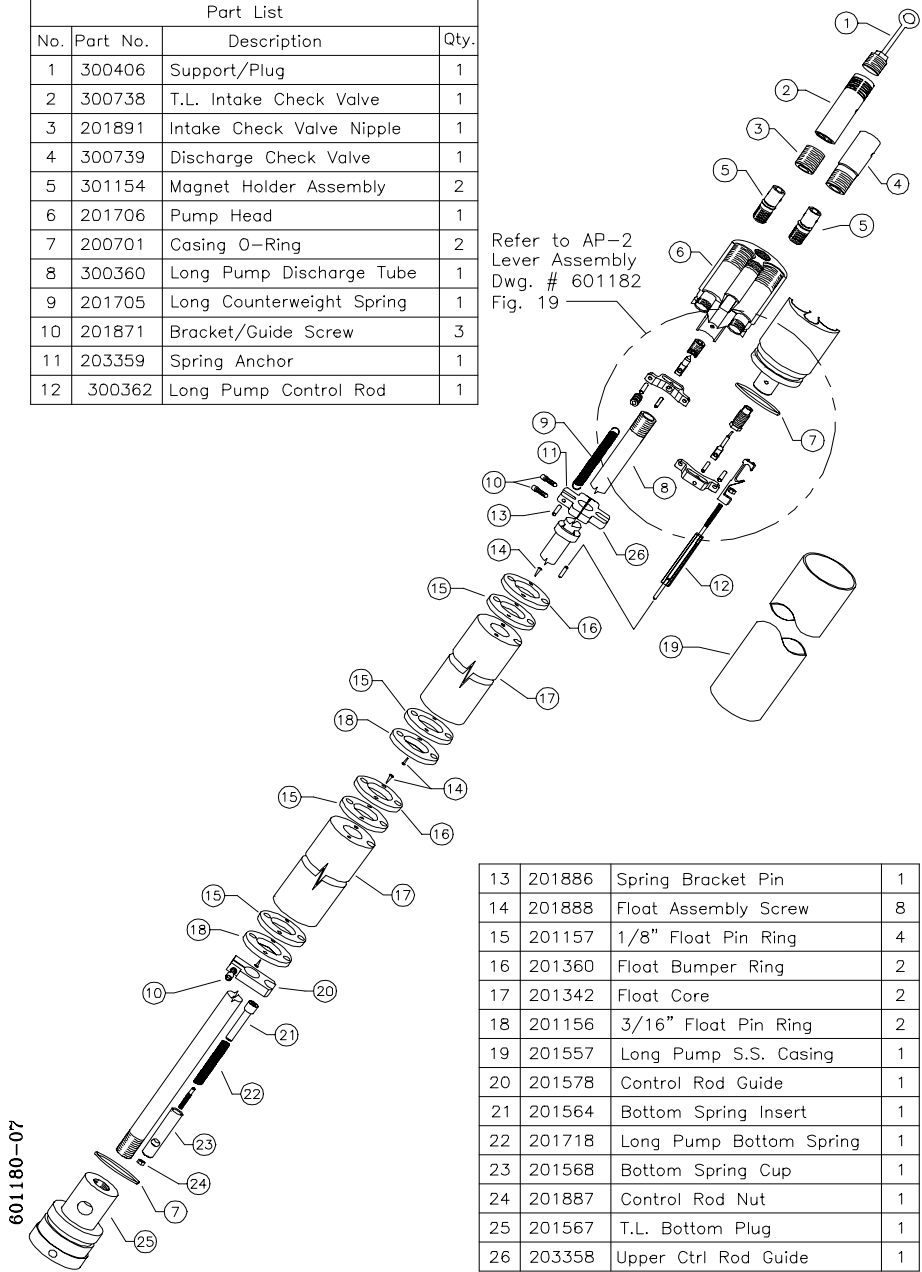


Figure 14 - Removing AP-2 Pump Casing

Part List			
No.	Part No.	Description	Qty.
1	300406	Support/Plug	1
2	300738	T.L. Intake Check Valve	1
3	201891	Intake Check Valve Nipple	1
4	300739	Discharge Check Valve	1
5	301154	Magnet Holder Assembly	2
6	201706	Pump Head	1
7	200701	Casing O-Ring	2
8	300360	Long Pump Discharge Tube	1
9	201705	Long Counterweight Spring	1
10	201871	Bracket/Guide Screw	3
11	203359	Spring Anchor	1
12	300362	Long Pump Control Rod	1



13	201886	Spring Bracket Pin	1
14	201888	Float Assembly Screw	8
15	201157	1/8" Float Pin Ring	4
16	201360	Float Bumper Ring	2
17	201342	Float Core	2
18	201156	3/16" Float Pin Ring	2
19	201557	Long Pump S.S. Casing	1
20	201578	Control Rod Guide	1
21	201564	Bottom Spring Insert	1
22	201718	Long Pump Bottom Spring	1
23	201568	Bottom Spring Cup	1
24	201887	Control Rod Nut	1
25	201567	T.L. Bottom Plug	1
26	203358	Upper Ctrl Rod Guide	1

Figure 15 - Exploded view of a Long Top-Loading AutoPump AP-2

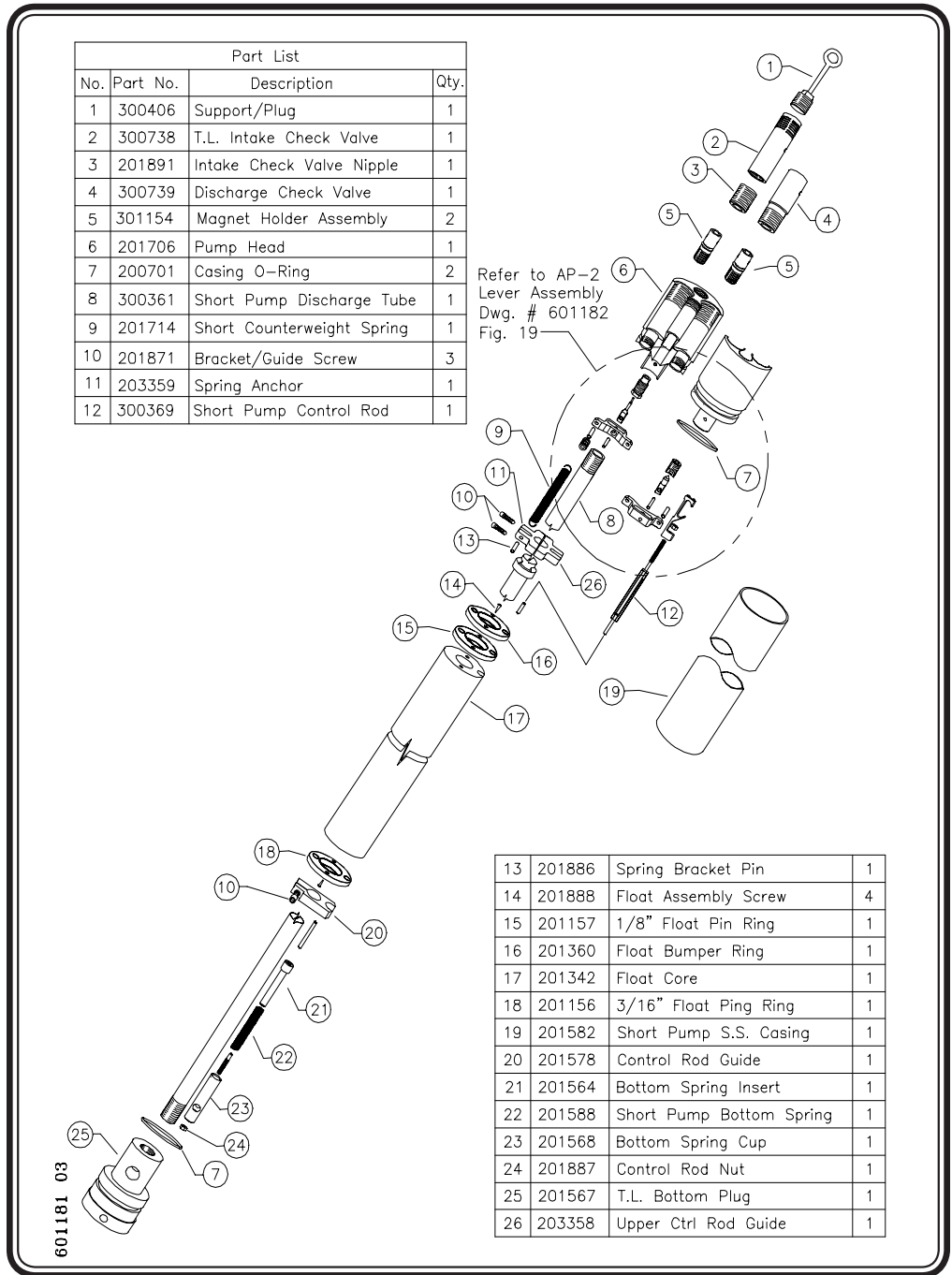


Figure 16 - Exploded View of a Short Top-Loading AutoPump AP-2

Part List			
No.	Part No.	Description	Qty.
1	300406	Support/Plug	1
2	300739	Discharge Check Valve	1
3	301154	Magnet Holder Assembly	2
4	201706	Pump Head	1
5	200701	Casing O-Ring	2
6	300360	Long Pump Discharge Tube	1
7	201705	Long Counterweight Spring	1
8	201871	Bracket/Guide Screw	3
9	203359	Spring Anchor	1
10	300362	Long Pump Control Rod	1
11	201886	Spring Bracket Pin	1
12	201888	Float Assembly Screw	8
13	201157	1/8" Float Pin Ring	4
14	201360	Float Bumper Ring	2
15	201342	Float Core	2
16	201156	3/16" Float Pin Ring	2

Long BL

Refer to AP-2
Lever Assembly
Dwg. # 601182
Fig. 19

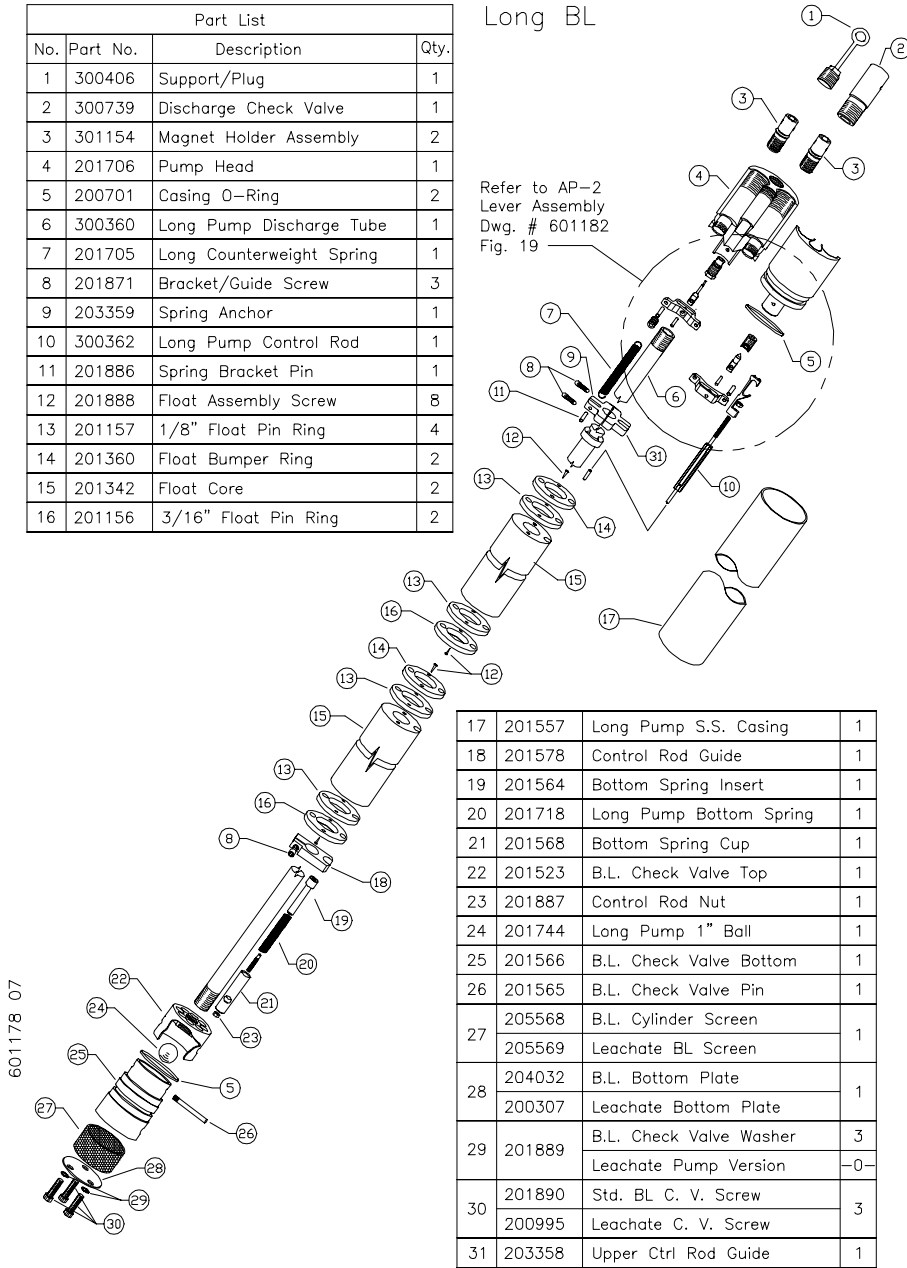
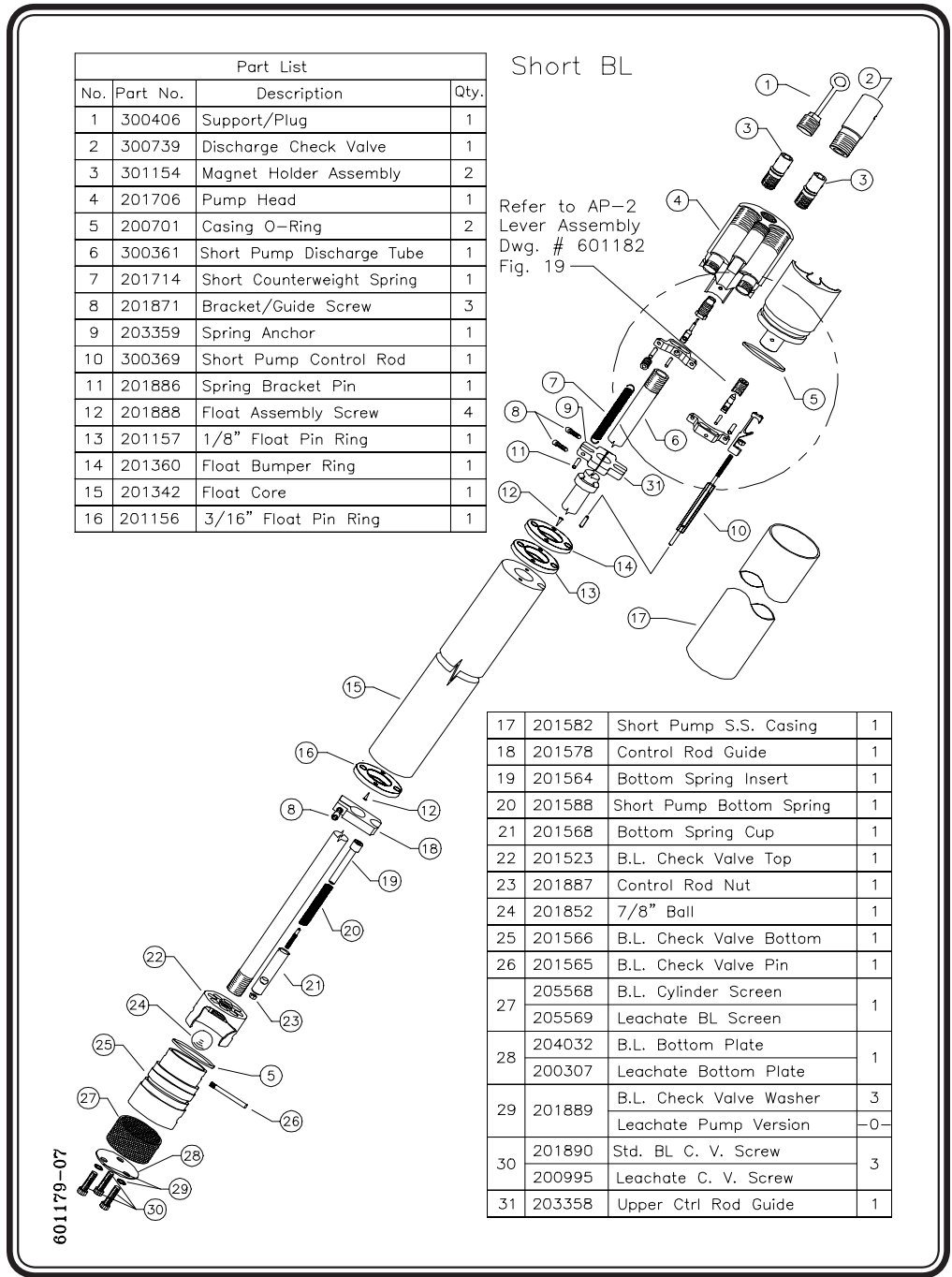
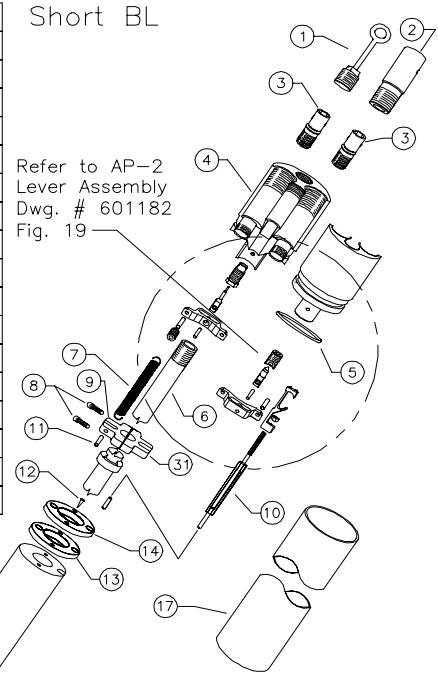


Figure 17 - Exploded View of a Long Bottom-Loading AutoPump AP-2

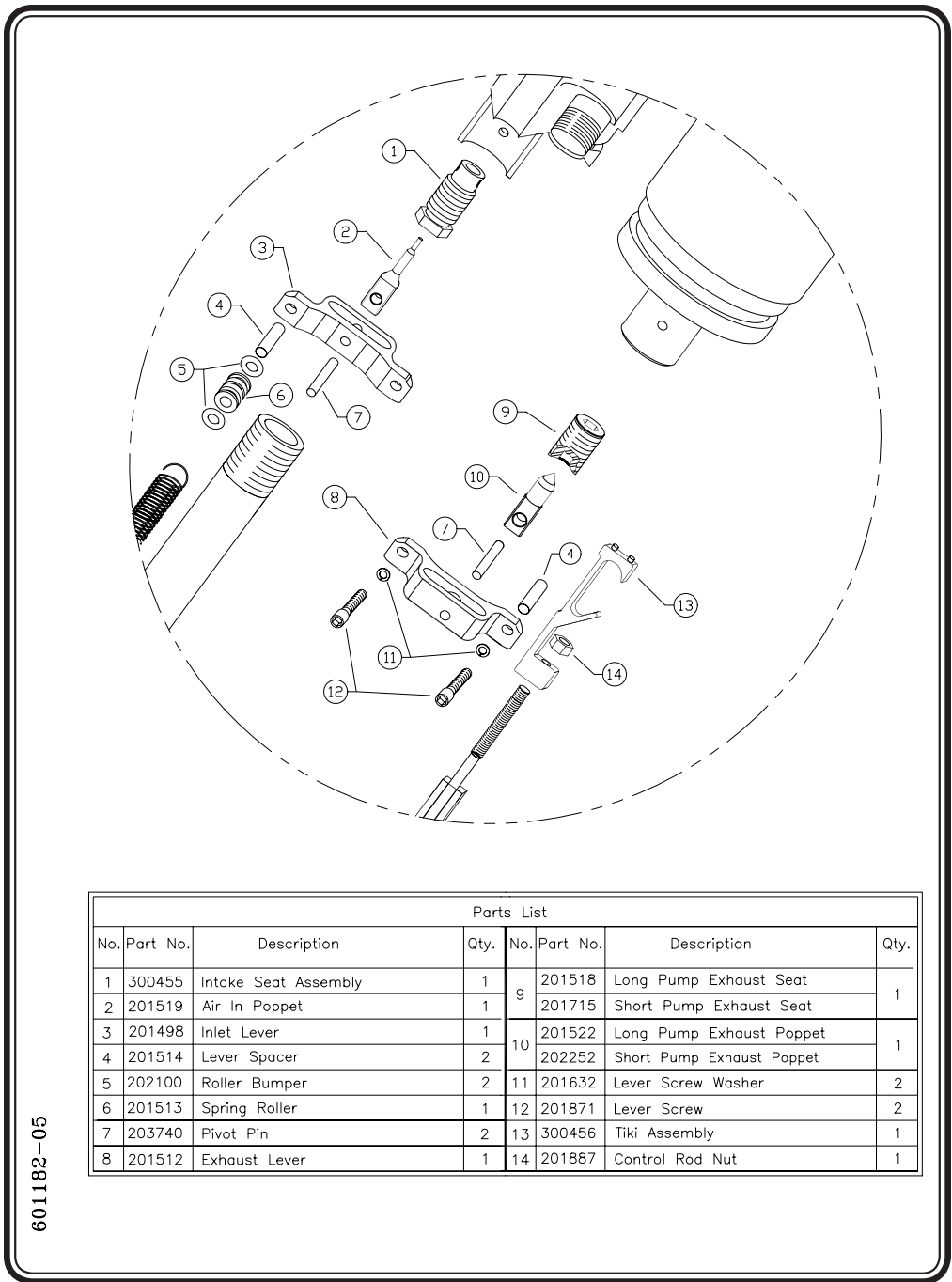


Part List			
No.	Part No.	Description	Qty.
1	300406	Support/Plug	1
2	300739	Discharge Check Valve	1
3	301154	Magnet Holder Assembly	2
4	201706	Pump Head	1
5	200701	Casing O-Ring	2
6	300361	Short Pump Discharge Tube	1
7	201714	Short Counterweight Spring	1
8	201871	Bracket/Guide Screw	3
9	203359	Spring Anchor	1
10	300369	Short Pump Control Rod	1
11	201886	Spring Bracket Pin	1
12	201888	Float Assembly Screw	4
13	201157	1/8" Float Pin Ring	1
14	201360	Float Bumper Ring	1
15	201342	Float Core	1
16	201156	3/16" Float Pin Ring	1



17	201582	Short Pump S.S. Casing	1
18	201578	Control Rod Guide	1
19	201564	Bottom Spring Insert	1
20	201588	Short Pump Bottom Spring	1
21	201568	Bottom Spring Cup	1
22	201523	B.L. Check Valve Top	1
23	201887	Control Rod Nut	1
24	201852	7/8" Ball	1
25	201566	B.L. Check Valve Bottom	1
26	201565	B.L. Check Valve Pin	1
27	205568	B.L. Cylinder Screen	1
	205569	Leachate BL Screen	
28	204032	B.L. Bottom Plate	1
	200307	Leachate Bottom Plate	
29	201889	B.L. Check Valve Washer	3
		Leachate Pump Version	
30	201890	Std. BL C. V. Screw	3
	200995	Leachate C. V. Screw	
31	203358	Upper Ctrl Rod Guide	1

Figure 18 - Exploded View of a Short Bottom-Loading Autopump AP-2



Parts List							
No.	Part No.	Description	Qty.	No.	Part No.	Description	Qty.
1	300455	Intake Seat Assembly	1	9	201518	Long Pump Exhaust Seat	1
2	201519	Air In Poppet	1		201715	Short Pump Exhaust Seat	
3	201498	Inlet Lever	1	10	201522	Long Pump Exhaust Poppet	1
4	201514	Lever Spacer	2		202252	Short Pump Exhaust Poppet	
5	202100	Roller Bumper	2	11	201632	Lever Screw Washer	2
6	201513	Spring Roller	1	12	201871	Lever Screw	2
7	203740	Pivot Pin	2	13	300456	Tiki Assembly	1
8	201512	Exhaust Lever	1	14	201887	Control Rod Nut	1

601182-05

Figure 19 - Exploded View of AP-2 Lever Assembly

Iron Build-up Cleaning Procedure

After the casing has been removed from the AutoPump please follow the procedure below:

Note:

The procedure described below can be seen in the Maintenance Video Tape. This will aid the technicians understanding and ease of properly disassembling the AutoPump, effectively cleaning components and then re-assembling the AutoPump.

- STEP 1 -** The bottom intake check valve assembly should be removed from the casing. **(See pages 44 and 45, and Figure 14 on page 46)**
- STEP 2 -** Visually inspect both stainless steel fluid discharge pipe for iron build-up or debris. Also, do the same with the float that rides up and down on the SS discharge pipe.
- STEP 3 -** Should there be iron deposits on either or both the discharge pipe or float, then remove the float from the SS fluid discharge pipe as follows:
- Remove the control rod guide. **(See Figures 15 through 18)**
 - Remove the small SS nut from the bottom spring cup **(See Figures 15 through 18)** The nut and cup removal will allow you to remove the spring and float from the SS discharge pipe.
- STEP 4 -** The stainless steel fluid discharge pipe can now be cleaned using either a Scotch Brite pad, a wire brush or finally a wire wheel on either a drill or a grinding machine. After removing the iron debris, it is recommended the pipe be water rinsed.
- STEP 5 -** Both the internal and external surfaces of the float will generally require cleaning. The material choices include a Scotch Brite pad, and a light grade 150 sandpaper and a razor or Exacto Knife. The internal surface of the float can be cleaned by attaching some Scotch Brite to the end of a long pipe or screw driver to scrape the inside hole of the float.

Note:

This float should not be soaked in any acids.

- STEP 6 -** The Control rod (**See Figures 15 through 18**) is the next component to be cleaned. Only use a Scotch Brite pad for removing any iron or debris on this metal alloy control rod.
- STEP 7 -** The final component to be cleaned is the outer AutoPump casing. The fastest and most effective way to clean out the inside surface of the pump casing is to use a three-stone honing tool. The technique is to move the hone in-and-out a half dozen times or so through each end of the casing. The time for the casing cleaning should take no longer than 5 minutes.

The AutoPump is now ready for re-assembly by following the steps above in reverse order.

Installing Pump Casing

- STEP 1 -** Inspect the O-rings to ensure they are capable of sealing (no discernible cuts or abrasions).
- STEP 2 -** Lubricate both inside ends of the casing to a depth of 1/2" with a thin layer of food-grade grease. Ensure that the film reaches the edges of the casing.
- STEP 3 -** Place the bottom check valve (Bottom Loading Pump) or bottom plug (Top Loading Pump) upright on a clean level surface.
- STEP 4 -** Pull the casing down over the check valve or plug.

Warning:

The pump casing has beveled ends that allow it to slide over the O-rings easily. Keep fingers, hands and other body parts away from these edges as they approach the heads. These edges can pinch when the pump casing is slid over the lower and upper heads.

- STEP 5 -** Turn the pump upside down and spin the casing assembly on the discharge tube by hand until the edge of the casing contacts the O-ring on the pump head.

Caution:

Be careful to swing the counterweight inside the pump.

- STEP 6 -** Using a spanner wrench on the bottom fitting, or, a strap wrench on the bottom end of the casing (pump bottom), turn the parts together until the casing just contacts the pump head.
-
- STEP 7 -** Turn the bottom check valve or the plug in the reverse direction (counter clockwise) so it is looser by 1/4 turn.
-

Cleaning the Pump Cycle Counter

Refer to Appendix F – Pump Cycle Counter

Checking Volumes Pumped Per Cycle

See **page 21** for information on the AutoPump volumes pumped per cycle. Ensure that volumes correspond with the previous experience on-site, and with the ranges indicated on **page 21**. If it doesn't correspond, then one of the following may exist:

1. The AutoPump is malfunctioning. (See **Chapter 7: Troubleshooting & Repair**)
2. The Pump Cycle Counter may not be counting correctly. See **Appendix F – Pump Cycle Counter** for troubleshooting procedures.
3. Site conditions (e.g. air pressure, discharge head) may have changed substantially.

Chapter 7: Troubleshooting & Repairs

Problems may occur and usually can be easily resolved by following these instructions. If, after careful reading and service, you cannot resolve the problem, please contact the *QED Environmental Systems (QED)* Service Department at (800) 537-1767.

Caution:

Wear goggles, gloves, and coveralls when servicing this system.

After troubleshooting is completed and before assembling the pump, slowly move the float through its range to ensure that the lever will trip even if the pump fills and empties slowly.

Note:

See Chapter 6: Maintenance for disassembly and cleaning instructions.

Possible Causes	Symptoms		
	Pump not cycling	Pump Cycles, but volume is reduced or there is no discharge	Air in fluid discharge
Detailed Instructions Follow this Chart			
1. Air supply	X		X
2. Fluid level	X		
3. Air exhaust restricted	X		X
4. Fluid Inlet clogged	X		
5. Debris, scale or very viscous fluid	X	X	X
6. Float pins	X		X
7. Debris in air inlet valve	X		
8. Fluid check valve		X	
9. Valve timing	X		

Troubleshooting

1. Air Supply:

- If the air pressure is too low, or if the flow is severely restricted, the pump will not cycle. Check the flow by inserting the pump air fitting part way into the air line socket. A healthy discharge of air should result.
- If the air pressure exceeds the design limitations of the pump, the pump may fail to cycle, or the exhaust valve may have locked up and cause air to enter the fluid discharge.

2. Fluid Level:

- The fluid level must be above the fluid inlet on a Top-Loading pump. On a Bottom-Loading pump, the fluid must be no lower than 10 inches (Short pump) or 17 inches (Long pump) below the head of the pump.

3. Air Exhaust Restricted:

- The exhaust line must not be kinked, plugged, or too small in diameter.
- The air exhaust outlet must be above the fluid level.
- If the air exhausts in the well, the well must be vented to the atmosphere or a functioning vapor recovery line.
- If the air exhausts to the atmosphere (outside the well) and a vacuum is drawn on the well, the pump may fail to fill. In order for the pump to fill under these adverse conditions, the pump must be submerged to make up for the pressure difference between the atmosphere and the partial vacuum in the well.

The pressure difference, expressed as feet of water column (FT. W. C.), is how far the fluid must be above the pump before it can fill.

- **See Appendix D** if there is a vacuum on the well.
- Ice may be forming on the exhaust valve seat due to the temperature drop that accompanies expansion of compressed air. Restrict the exhaust to lower the expansion rate of the exhaust. Restrict the air inlet hose or lower the pressure to reduce the rate of incoming compressed air. The previous three suggestions may reduce the flow rate from the pump. Submerge the head of the pump, if it is not already submerged. Protect the air lines from low temperatures and freezing by burial or insulation.

4. Fluid Inlet Clogged:

- If the fluid inlet screen is clogged with debris, or if a Bottom-Loading pump is on the bottom of the well, water cannot enter the pump.

5. Debris, Scale, or very Viscous Fluid:

- If debris, scale or a very viscous fluid has accumulated inside the pump, the float may not move freely up and down, or the control rod may not slide easily through the float.
- Clean the float, control rod, and the casing. See **Chapter 6** for cleaning instructions.

6. Float Pins:

- Determine if any part of the float foam itself can contact the discharge pipe. Move each end of the float back and forth, sideways, to ensure that the pins on the plate of the float prevent float foam contact with the pipe. Call *QED* for repair options.

Note:

If viscous materials cause continual problems, contact QED for possible solutions.

7. Debris in Air Inlet Valve:

- Open the pump. Connect the air supply. Adjust the air pressure to 40 psi. Pull the control rod down. Listen to determine if significant volume of air leaks through. A leak rate of 4 SCFH or less is within specification (this is a small leak that produces bubbles in a soapy water solution). If so, clean the valve by blowing air or water through it from both ends.
- If air still leaks through the valve with the control rod down, the air-hose must be removed to access the valve inlet to check for debris in the valve or in the hose pigtail.
- Push the rod upwards. If little or no air passes through, remove the air-in hose to access the valve inlet. Blow air through the valve from the poppet side to clear debris from the ball and seat.

8. Fluid Check Valves:

- Open the pump. Hold the pump vertically and pour water into the discharge check valve. If water flows through, clean the valve.
- The valve assembly may be soaked in a solvent. Be careful to not damage the teflon ball with the tools used for cleaning.
- Inspect the ball for wear. If it is too small to seal on the seat, or if it is obviously out of round, replace the check valve.
- If the pump is a Bottom-Loading design, inspect the seat of the bottom check valve for debris and wear. Clean or replace if necessary.
- If the pump is a Top-Loading design, remove the fluid inlet check valve, turn it upside down, and pour water into it. If water flows through, clean it.

9. Air Inlet Valve Timing:

- Remove the pump casing. Connect the air supply. Push the control rod end of the lever up to the head. Lower the rod slowly and stop at the point where the sound of air drops dramatically.
- The levers should be nearly ± 10 degrees parallel to the lower surface of the head at this point.
- Check if the lever is jamming due to an improper adjustment.

Returning Equipment for Service

If the equipment needs to be returned to *QED* for servicing, please follow these steps:

- STEP 1 -** Call the *QED* Service Department and obtain a Return Material Authorization (**RMA**) number. Please have available the customers contact person's name, company name and address, phone number, fax number, reason for the return, and the names of the chemicals to which the equipment has been exposed.
- STEP 2 -** Clean all equipment before shipping. See **Equipment Cleaning Requirements** at the end of this section.

If the equipment must be cleaned after it arrives at *QED*, the customer will be charged for the cleaning and disposal of material, if necessary. (Cost can be \$200.00 per piece of equipment cleaned.) Drain and dry all equipment after cleaning.
- STEP 3 -** Package the equipment so that it will not be damaged in shipment. Use bubble pack rather than styrofoam flakes as packing material.
- STEP 4 -** Ship the equipment via a carrier and service level (i.e., one-day, two-day shipping) in consideration of probable service time and return shipment time.
- STEP 5 -** It is recommended that such shipments be insured so if the shipment is badly damaged or lost, the customer can replace the equipment at little or no cost.
- STEP 6 -** Include the contact's name, company, phone number and RMA number given by *QED*.
- STEP 7 -** Write the RMA number on the outside of the packaging so it will be directed immediately to the *QED* Service Department.

Equipment Cleaning Requirements

If the equipment is to be shipped to another site or to the factory for service, it needs to be thoroughly cleaned before leaving the site. Cleaning the equipment protects the user (sender), the shipper, and the receiver from dirt and/or contaminants. If the equipment is not cleaned prior to shipping for servicing, it may be severely delayed, refused or the shipper may be charged a cleaning fee. Before packing and shipping, ensure that the equipment is dry inside and out.

The following is a list of equipment and how it should be cleaned prior to shipment.

Hoses and Fittings

- STEP 1 -** Pump clean water or water with a gentle soap solution (e.g. Dove Dish Soap) through the pump to remove free product and particles.
- STEP 2 -** Rinse all soap off of the equipment.
- STEP 3 -** Soak and rinse the outside of the unit with water to remove loose debris and dirt.
- STEP 4 -** Steam clean inside and out to remove difficult dirt and contaminants.

Caution:

Use low pressure (less than 40 psi) when steam cleaning.

AutoPumps

- STEP 1 -** Pump clean water or water with a gentle soap (e.g. Dove Dish Soap) solution through the pump to remove free product and particles.
- STEP 2 -** Rinse all soap off of the equipment.
- STEP 3 -** Soak and rinse the outside of the unit with water to remove loose debris and dirt.
- STEP 4 -** Steam clean inside and out to remove difficult dirt and contaminants.

Caution:

Use low pressure (less than 40 psi) when steam cleaning.



Appendix A: Performance Curves

These curves were derived from in-house tests using a pump with average air flow capacity. Flow rates in the field may vary slightly due to temperature, air quality, flow restrictions and minor differences in pump adjustments. Flow rates can be affected due to the natural cooling effect of compressed air expansion. If this cooling effect is lowering the flow rate, decreasing the air pressure to the pump can actually increase the flow rate in some cases. Another way to reduce freezing of water vapor in compressed air is to use an air dryer on the compressed air line.

The following charts show the performance flow rate curves for the Long and Short pumps.

Long Bottom and Top-Loading AP-2 AutoPumps

- See Figures 20 and 21.

Short Bottom and Top-Loading AP-2 AutoPumps

- See Figures 22 and 23.

The curves are categorized by pump type, hose size, depth of submergence and air supply pressure. To determine the flow rate a pump will produce, the following information must be known:

1. **Pump** – Long, Short or Low Dardown; Top- or Bottom-Loading.
2. **Discharge hose size** – 1/2 inch is standard. A larger inside diameter may yield a higher flow rate. This depends on site conditions.
3. **Fluid Inlet Submergence** – Select the submergence depth of the pump below the fluid under normal operating conditions.
4. **Air pressure.**

With the previous information, obtain the flow rate by using the following steps:

- On the horizontal scale, find the depth in the well at which the pump will be located.
- Trace that depth upwards to the line for the air inlet pressure you selected.
- Travel horizontally over to the vertical scale and read the flow rate.

Example: A long Bottom-Loading AP-2 with a 1/2-inch discharge hose and 70 psi supply pressure positioned 100 feet below ground and submerged 6 inches below the fluid will produce about .77 gallons per minute (GPM).

The same pump submerged 10 feet below the fluid produces 1.0 GPM.

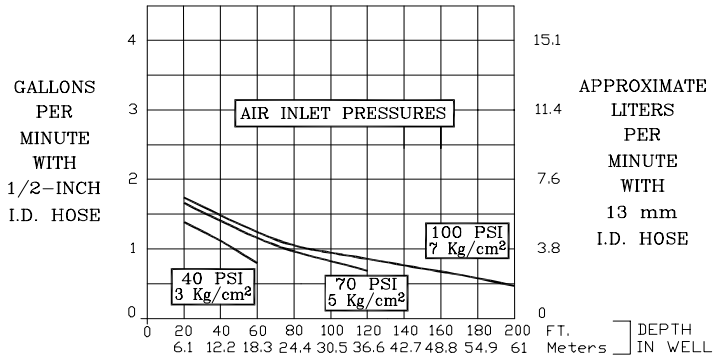
Note:

These flow rates are only applicable for the designated well head conditions. Any additional resistance from out-of-well equipment (e.g. surface hoses, valves, etc.) will affect the values shown on these curves.

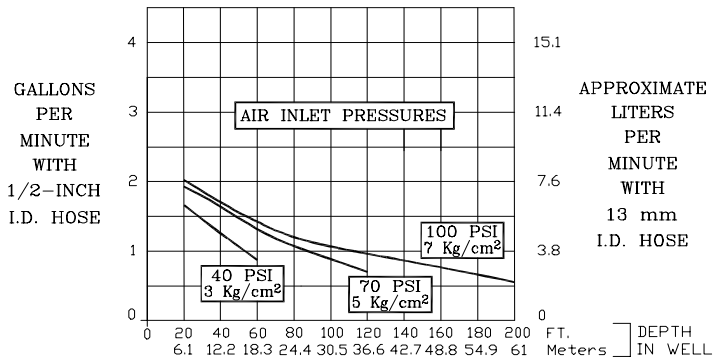
1/2-INCH (13 mm) INSIDE DIAMETER DISCHARGE HOSE

MAXIMUM FLOW RATES *

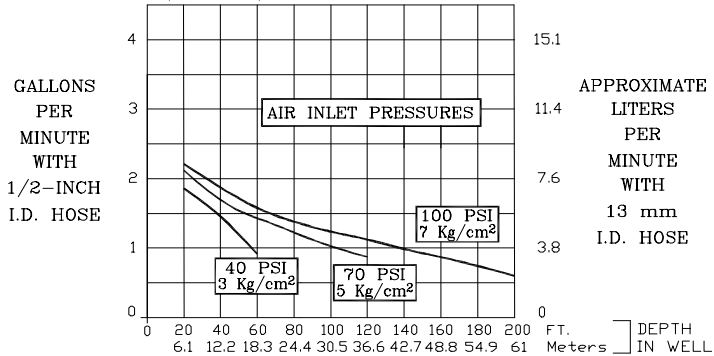
6-INCH (15 cm) SUBMERGENCE OF PUMP HEAD



2 FT. (60 cm) SUBMERGENCE OF PUMP HEAD



10 FT. (300 cm) SUBMERGENCE OF PUMP HEAD

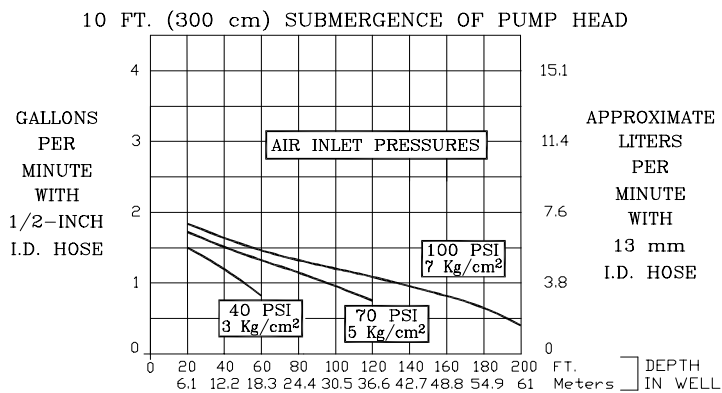
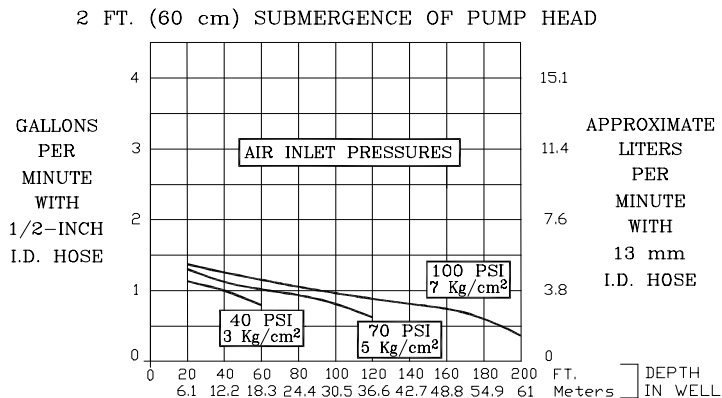
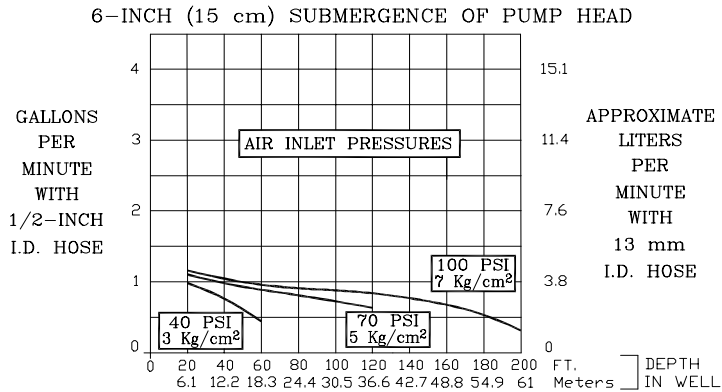


601789 01

Figure 20 - Long AP-2/BL Performance Curves:
1/2-inch (13 mm) I.D. Discharge US and METRIC UNITS

1/2-INCH (13 mm) INSIDE DIAMETER DISCHARGE HOSE

MAXIMUM FLOW RATES *



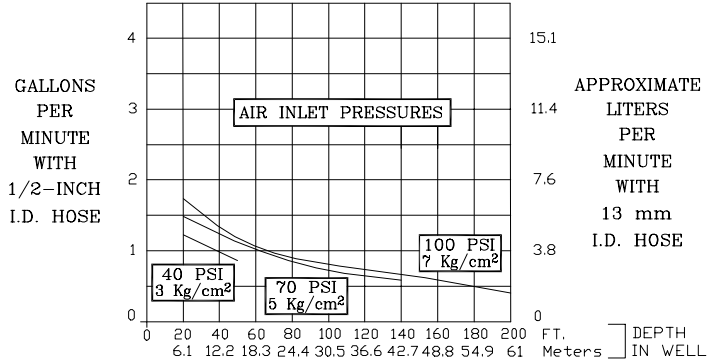
601790 01

**Figure 21 - Long AP-2/TL Performance Curves:
1/2-inch (13 mm) I.D. Discharge US and METRIC UNITS**

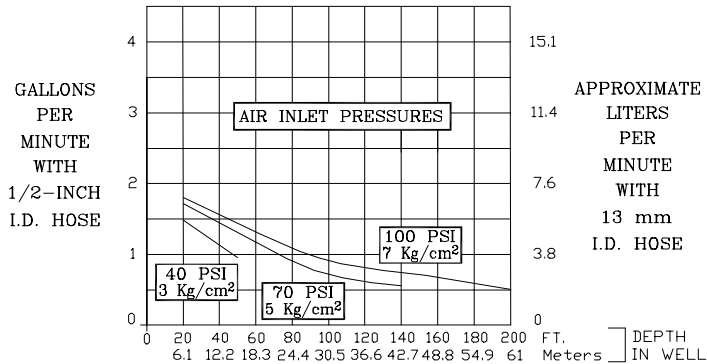
1/2-INCH (13 mm) INSIDE DIAMETER DISCHARGE HOSE

MAXIMUM FLOW RATES *

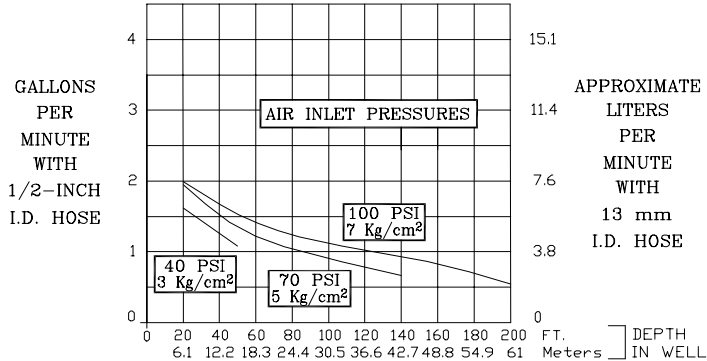
6-INCH (15 cm) SUBMERGENCE OF PUMP HEAD



2 FT. (60 cm) SUBMERGENCE OF PUMP HEAD



10 FT. (300 cm) SUBMERGENCE OF PUMP HEAD



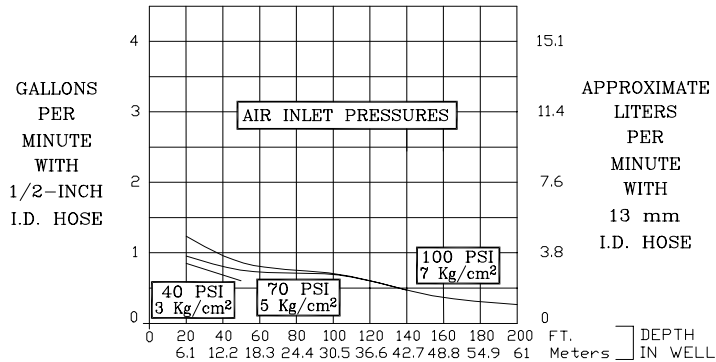
601791 01

**Figure 22 - Short AP-2/BL Performance Curves:
1/2-inch (13 mm) I.D. Discharge US and METRIC UNITS**

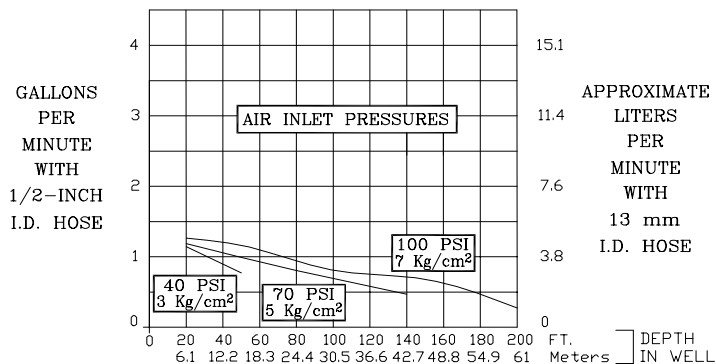
1/2-INCH (13 mm) INSIDE DIAMETER DISCHARGE HOSE

MAXIMUM FLOW RATES *

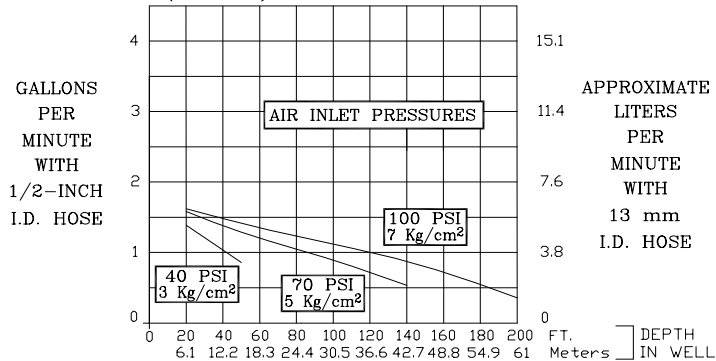
6-INCH (15 cm) SUBMERGENCE OF PUMP HEAD



2 FT. (60 cm) SUBMERGENCE OF PUMP HEAD



10 FT. (300 cm) SUBMERGENCE OF PUMP HEAD



601792 01

**Figure 23 - Short AP-2/TL Performance Curves:
1/2-inch (13 mm) I.D. Discharge US and METRIC UNITS**

Appendix B: Air Consumption Curves

The following charts show the air consumption curves for the Long and Short length AP-2 AutoPumps. These curves can be used to estimate air use and compressor sizing. A compressor with reserve capacity is recommended.

The following charts show the air consumption curves for the Long and Short pumps.

Long Bottom and Top-Loading AP-2 AutoPumps

- See Figures 24 and 25

Short Bottom and Top-Loading AP-2 AutoPumps

- See Figures 26 and 27.

The curves are categorized by pump length, hose size, depth of submergence and air supply pressure. To determine the amount of air used for each gallon of fluid pumped, the following information must be known:

1. **Pump** – Long or Short.
2. **Discharge hose size** – 1/2-inch I.D. A larger diameter may yield significantly lower air use rates, depending upon site conditions.
3. **Air pressure.**

With the above information, obtain the probable flow rate by using the following steps:

- On the horizontal scale, find the depth in the well at which the pump will be located.
- Trace that depth upwards to the line for the air inlet pressure you selected.
- Travel horizontally over to the vertical scale and read the air use factor.

Example: A long Bottom-Loading pump with a 1/2-inch discharge hose and 70 psi supply pressure positioned 50 feet below ground will use about 0.60 SCF of air for each gallon of fluid pumped.

The maximum flow rate for the pump, taken from the flow rate curves, when there is 10 feet of fluid over the pump and it is positioned 50 feet below ground is about 1.5 GPM.

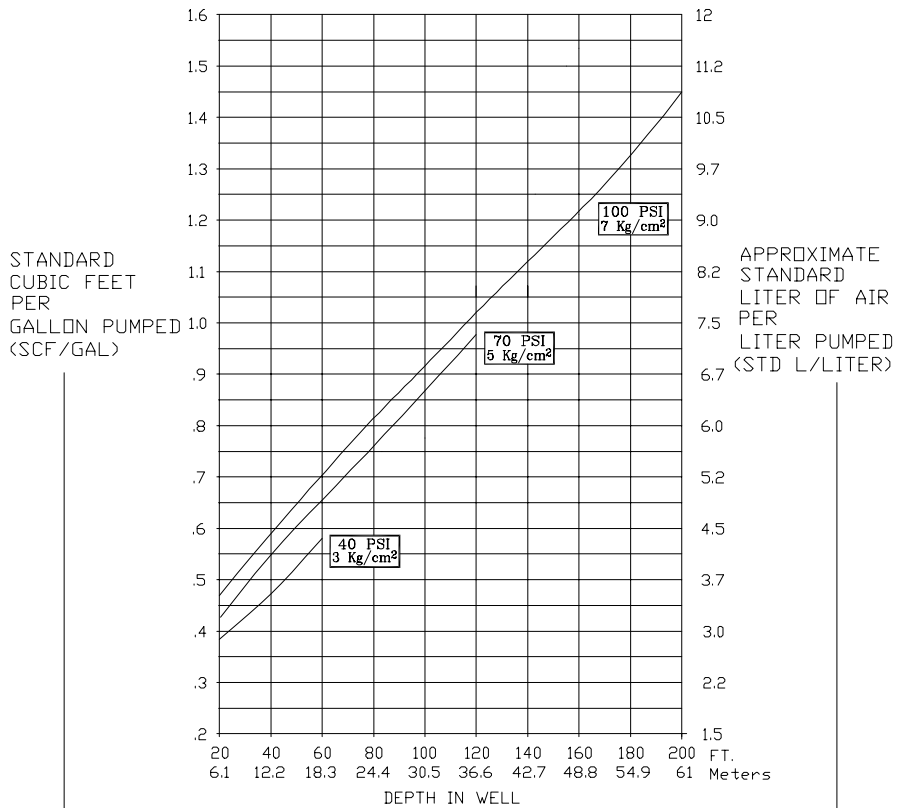
Multiply the 1.50 GPM flow rate times the 0.60 SCF air use factor to generate a .90 SCFM (Standard Cubic Feet per Minute) air use result.

If the yield of the well is less than the maximum pump rate predicted by the appropriate flow rate graph, multiply the actual fluid recovery rate times the air use factor. This air use can be diminished if the regulator pressure is reduced. The maximum pump rate for the lower air pressure can be predicted using the performance curves.

Note:

These air use factors are only applicable for the designated well head conditions. Any additional resistance from out-of-well equipment (e.g. surface hoses, valves, etc.) will affect the factors shown on these curves.

1/2-inch (13 mm) INSIDE DIAMETER DISCHARGE HOSE



MAXIMUM AIR USE IN STANDARD CUBIC FEET (SCF) PER GALLON PUMPED. (SURFACE LINE MAY INCREASE AIR USE.)

$$\frac{\text{SCF/GAL}}{\text{THIS GRAPH}} \times \frac{\text{GPM}}{\text{FLOW RATE CURVES}} = \frac{\text{SCFM}}{\text{MAXIMUM STANDARD CUBIC FEET PER MINUTE}}$$

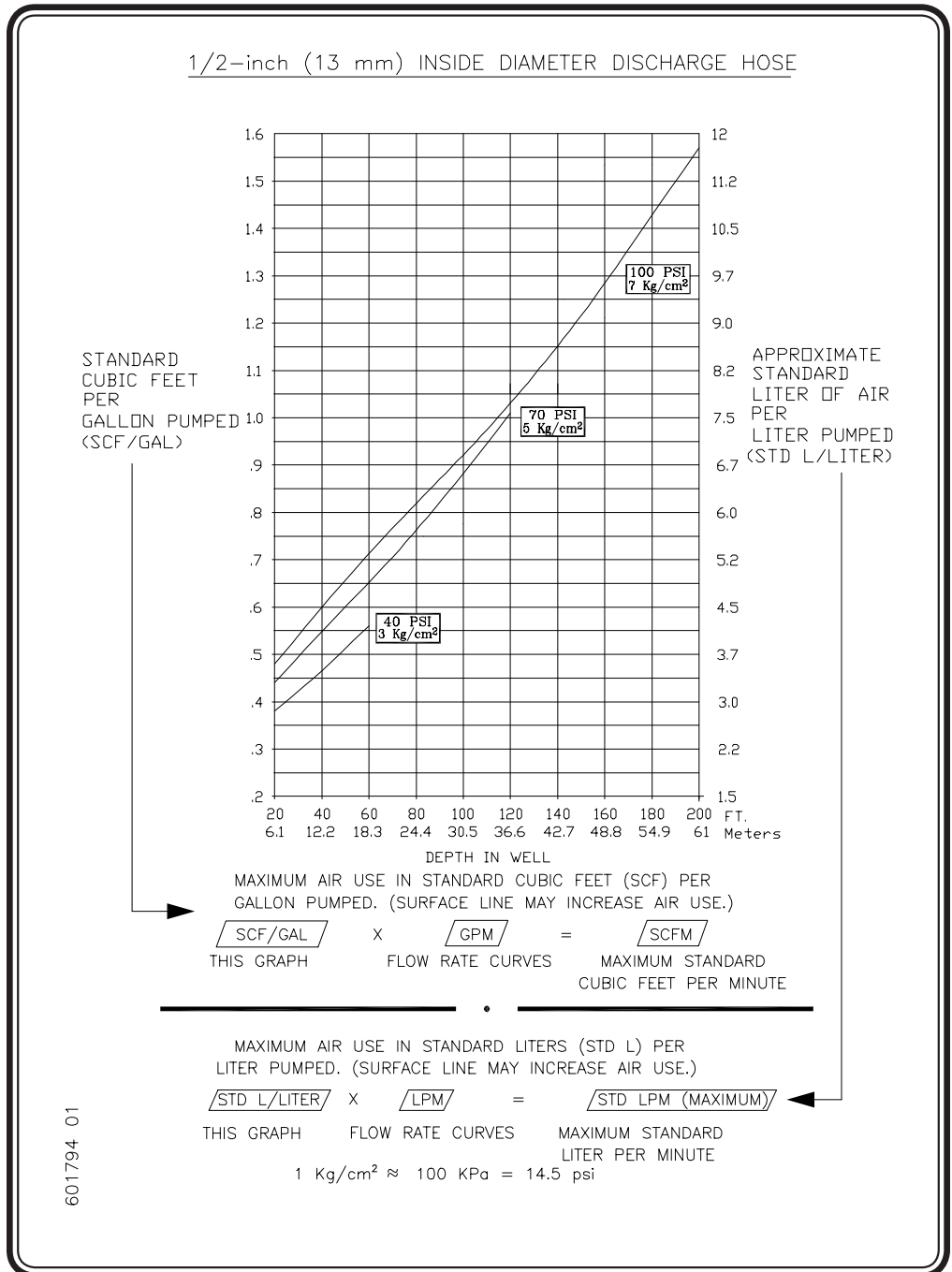
MAXIMUM AIR USE IN STANDARD LITERS (STD L) PER LITER PUMPED. (SURFACE LINE MAY INCREASE AIR USE.)

$$\frac{\text{STD L/LITER}}{\text{THIS GRAPH}} \times \frac{\text{LPM}}{\text{FLOW RATE CURVES}} = \frac{\text{STD LPM (MAXIMUM)}}{\text{MAXIMUM STANDARD LITER PER MINUTE}}$$

1 Kg/cm² ≈ 100 KPa = 14.5 psi

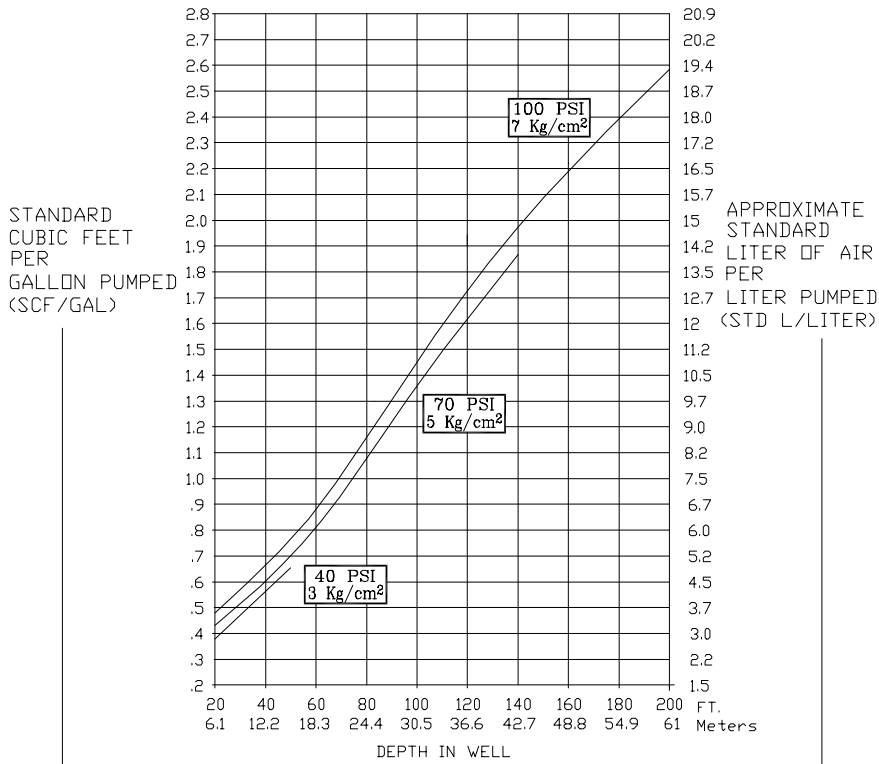
601793 01

Figure 24 - Long AP-2/BL Air Consumption Curves: 1/2-inch (13 mm) I.D. Discharge US and METRIC UNITS



**Figure 25 - Long AP-2/TL Air Consumption Curves:
1/2-inch (13 mm) I.D. Discharge US and METRIC UNITS**

1/2-inch (13 mm) INSIDE DIAMETER DISCHARGE HOSE



MAXIMUM AIR USE IN STANDARD CUBIC FEET (SCF) PER GALLON PUMPED. (SURFACE LINE MAY INCREASE AIR USE.)

$$\frac{\text{SCF/GAL}}{\text{THIS GRAPH}} \times \frac{\text{GPM}}{\text{FLOW RATE CURVES}} = \frac{\text{SCFM}}{\text{MAXIMUM STANDARD CUBIC FEET PER MINUTE}}$$

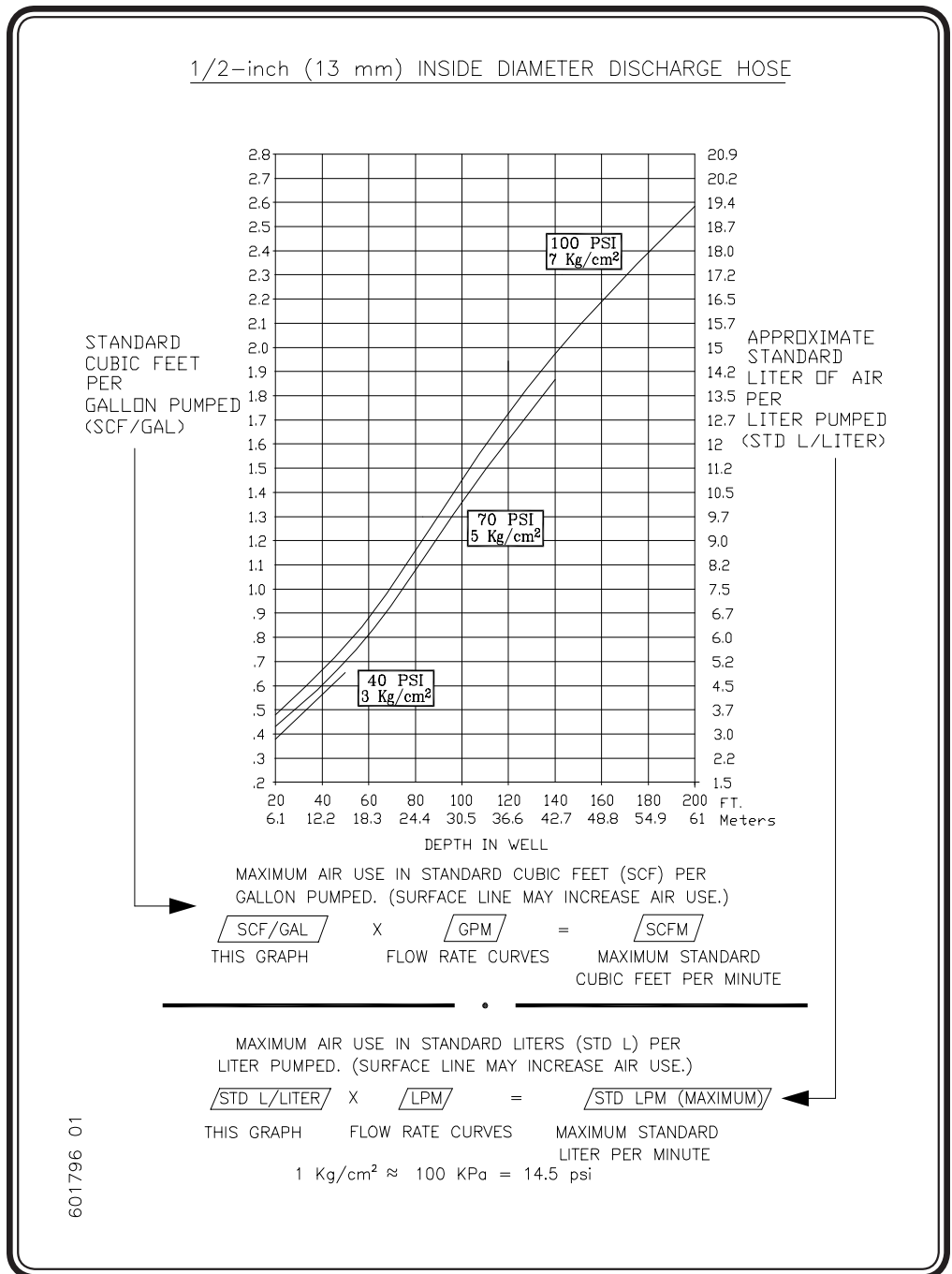
MAXIMUM AIR USE IN STANDARD LITERS (STD L) PER LITER PUMPED. (SURFACE LINE MAY INCREASE AIR USE.)

$$\frac{\text{STD L/LITER}}{\text{THIS GRAPH}} \times \frac{\text{LPM}}{\text{FLOW RATE CURVES}} = \frac{\text{STD LPM (MAXIMUM)}}{\text{MAXIMUM STANDARD LITER PER MINUTE}}$$

$$1 \text{ Kg/cm}^2 \approx 100 \text{ KPa} = 14.5 \text{ psi}$$

601795 01

Figure 26 - Short AP-2/BL Air Consumption Curves: 1/2-inch (13 mm) I.D. Discharge US and METRIC UNITS



**Figure 27 - Short AP-2/TL Air Consumption Curves:
1/2-inch (13 mm) I.D. Discharge US and METRIC UNITS**



Appendix C: AP-2 Conversions

The AP-2 can be converted the from Top- to Bottom-Loading or Bottom- to Top-Loading by rearranging the check valves.

For Bottom-Loading to a Top-Loading conversion, **see Figure 28** on the next page.

For Top-Loading to Bottom-Loading conversion, **see Figure 29** on page 74.

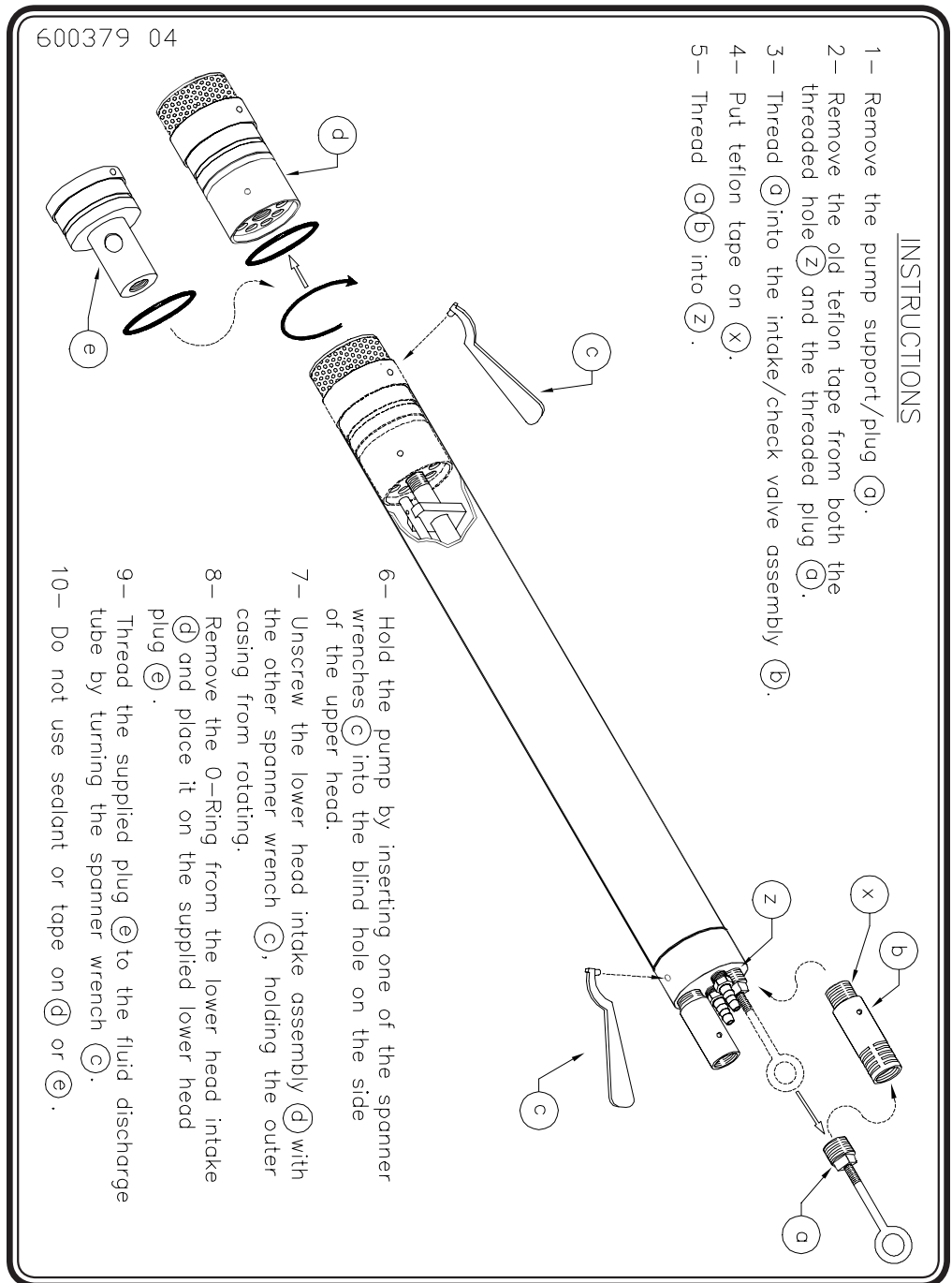
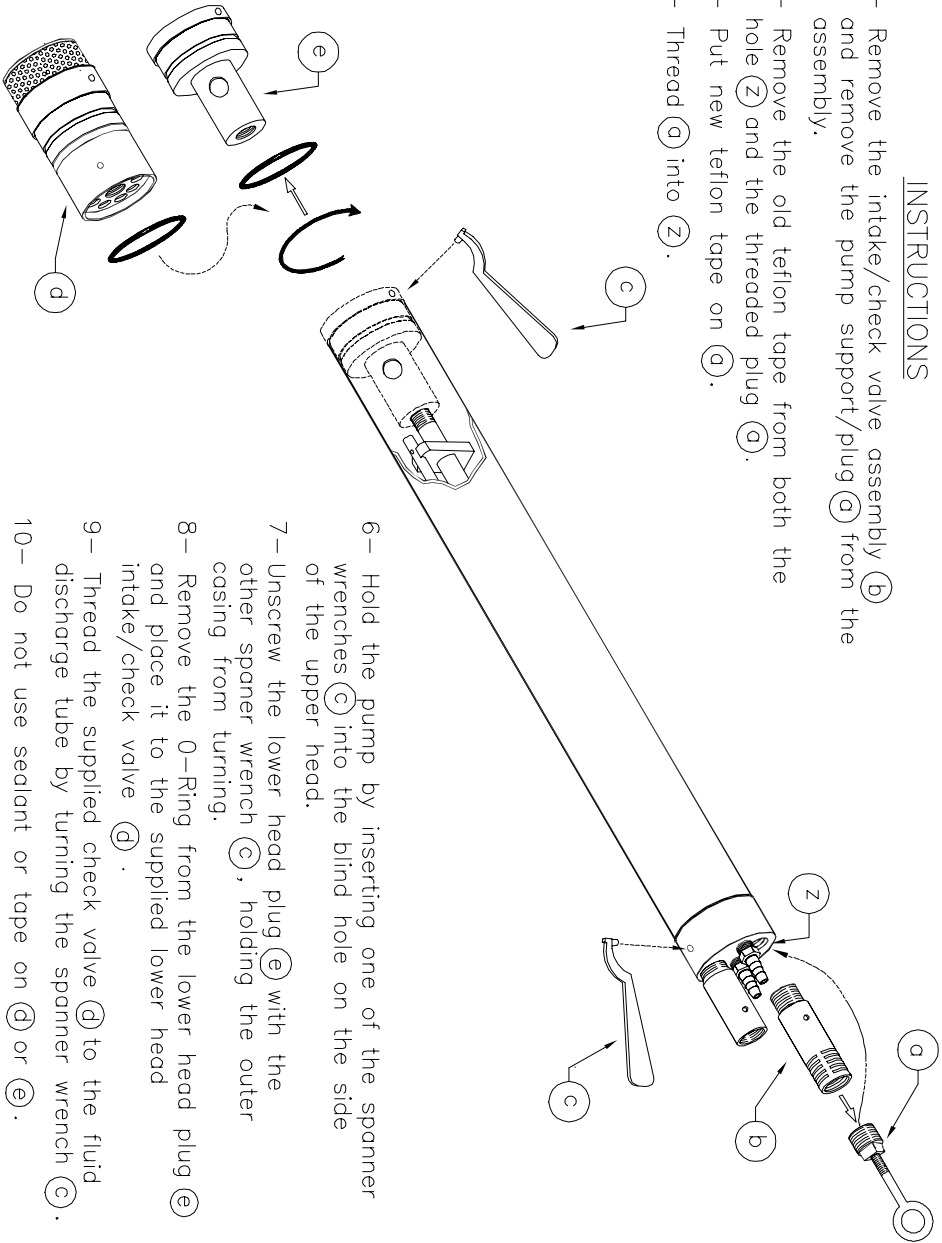


Figure 28 - Conversion From Bottom-Loading to Top-Loading AutoPump

600380 03

INSTRUCTIONS

- 1- Remove the intake/check valve assembly (b) and remove the pump support/plug (c) from the assembly.
- 2- Remove the old teflon tape from both the hole (z) and the threaded plug (a).
- 3- Put new teflon tape on (a).
- 4- Thread (a) into (z).



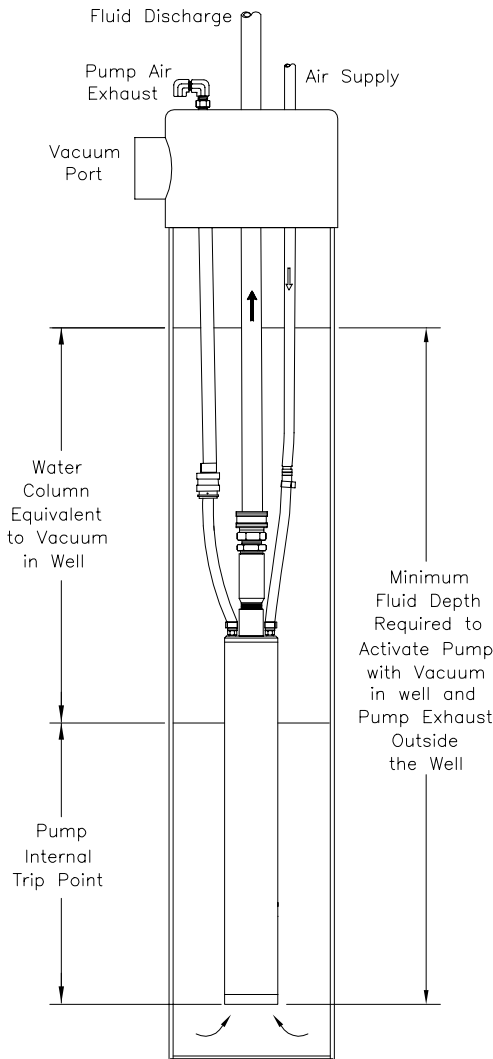
- 6- Hold the pump by inserting one of the spanner wrenches (c) into the blind hole on the side of the upper head.
- 7- Unscrew the lower head plug (e) with the other spanner wrench (c), holding the outer casing from turning.
- 8- Remove the O-Ring from the lower head plug (e) and place it to the supplied lower head intake/check valve (d).
- 9- Thread the supplied check valve (d) to the fluid discharge tube by turning the spanner wrench (c).
- 10- Do not use sealant or tape on (d) or (e).

Figure 29 - Conversion From Top-Loading to Bottom-Loading AutoPump



Appendix D: Vacuum on Well

The AP-2 will work in a well that is under vacuum, but there are several conditions that must be considered. These conditions are described in **Figure 30, Figure 31, Figure 32, and Figure 33** on the following pages.



- The water level required to activate the pump is equal to the pump internal trip point plus the vacuum water column.

Example:

- A Short AP-3/BL has an internal trip point of 22 in.
- A well vacuum of 30 in. W.C. (water column)

$$22 + 30 = 52 \text{ in.}$$

Water depth required to activate pump.

- The rated maximum operating pressure of the pump is not affected by this method of installation.

601238 02

Pump Internal trip point*						
Long AP-4/BL	Short AP-4/BL	LDD AP-4/BL	Long AP-3/BL	Short AP-3/BL	Long AP-2/BL	Short AP-2/BL
35 in. 89 cm	27 in. 69 cm	11.5 in. 29.2 cm	31 in. 78.8 cm	22 in. 55.5 cm	35 in. 89 cm	20 in. 51 cm

* Special or Extended Intake Screens may Alter Listed Specifications.

Figure 30 - AP-2/BL with Vacuum In the Well and Pump Exhaust Outside the Well

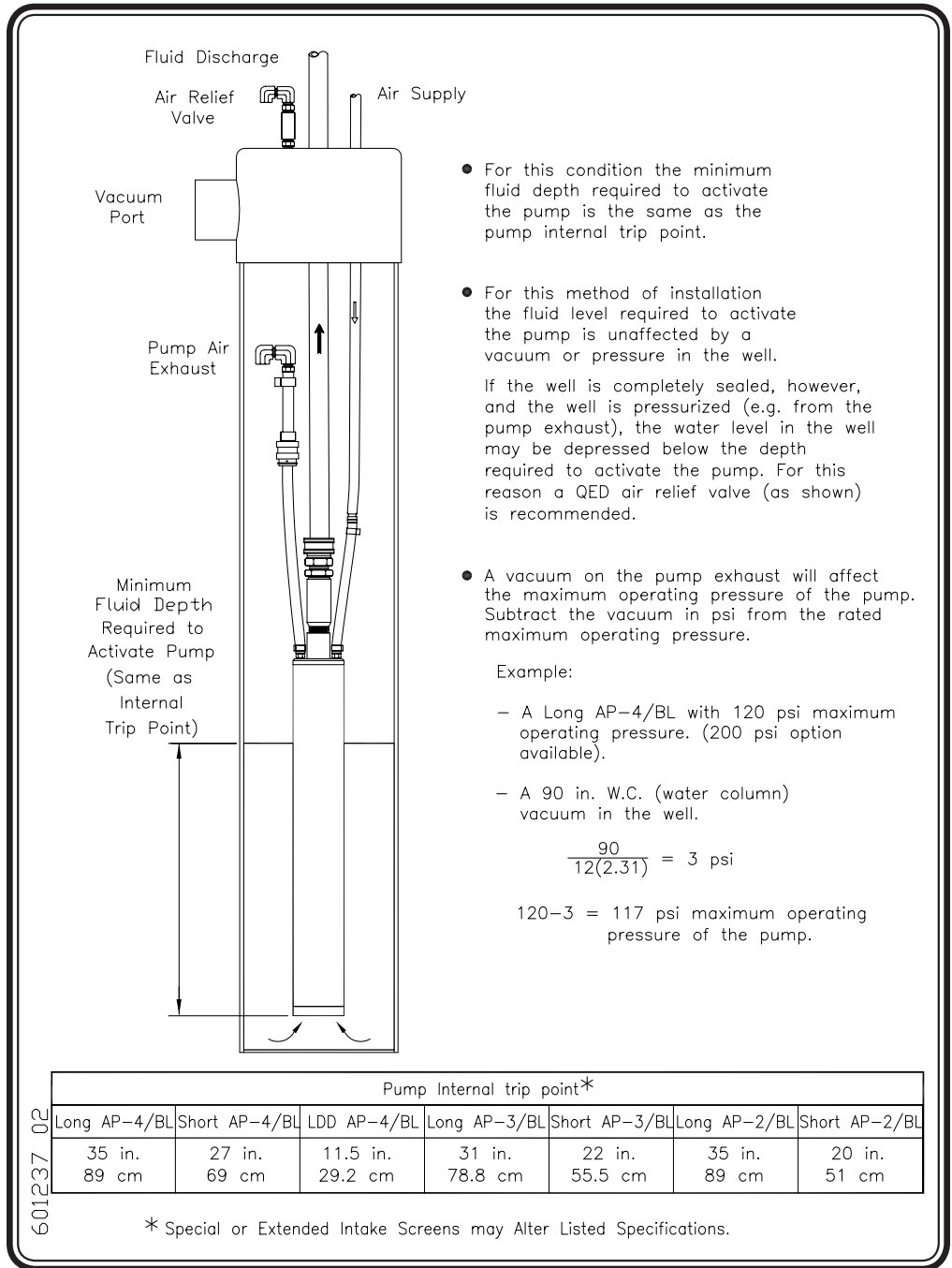


Figure 31 - AP-2/BL with Vacuum In the Well and Pump Exhaust In the Well

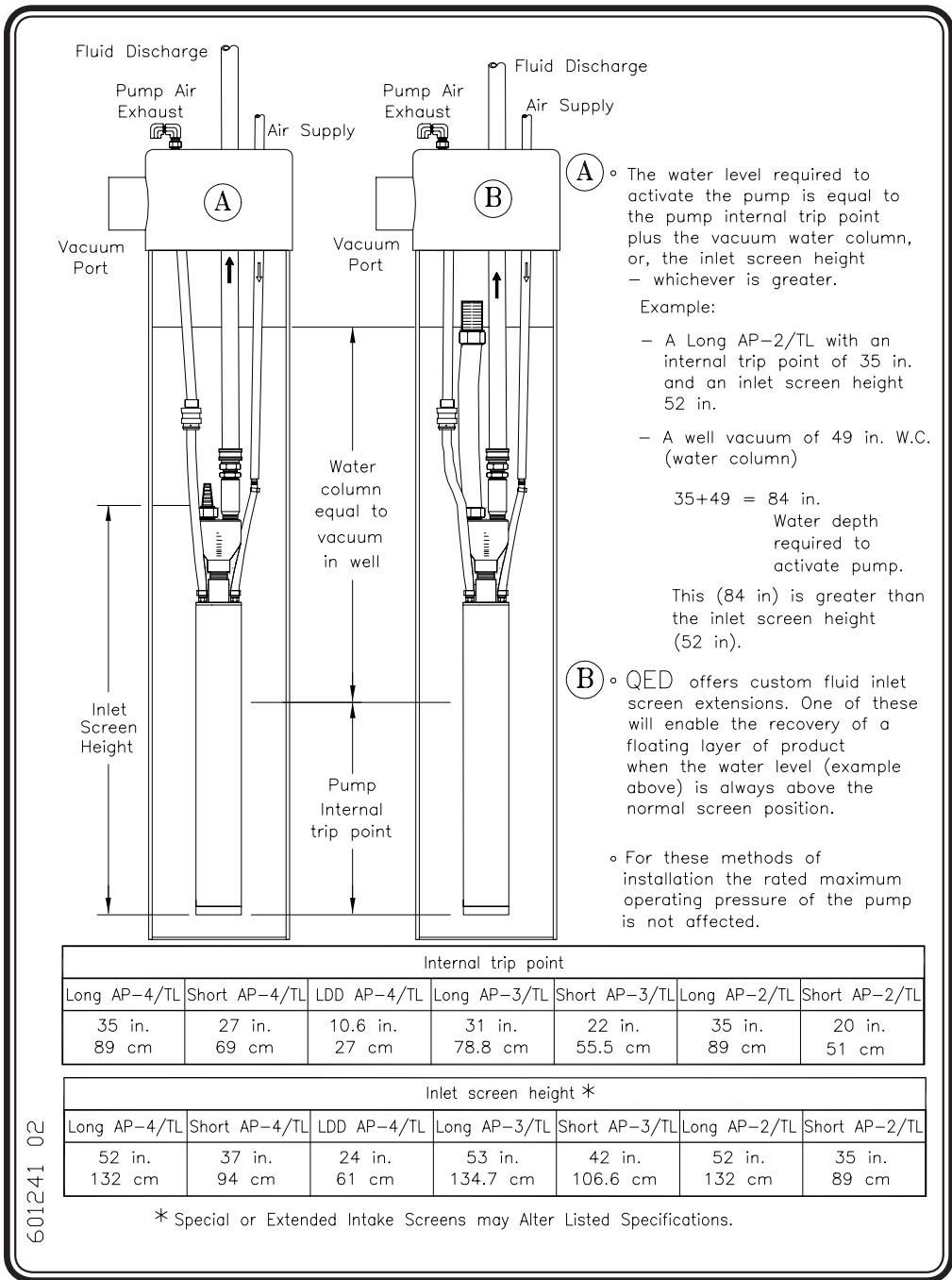


Figure 32 - AP-2/TL with Vacuum In the Well and Pump Exhaust Outside the Well

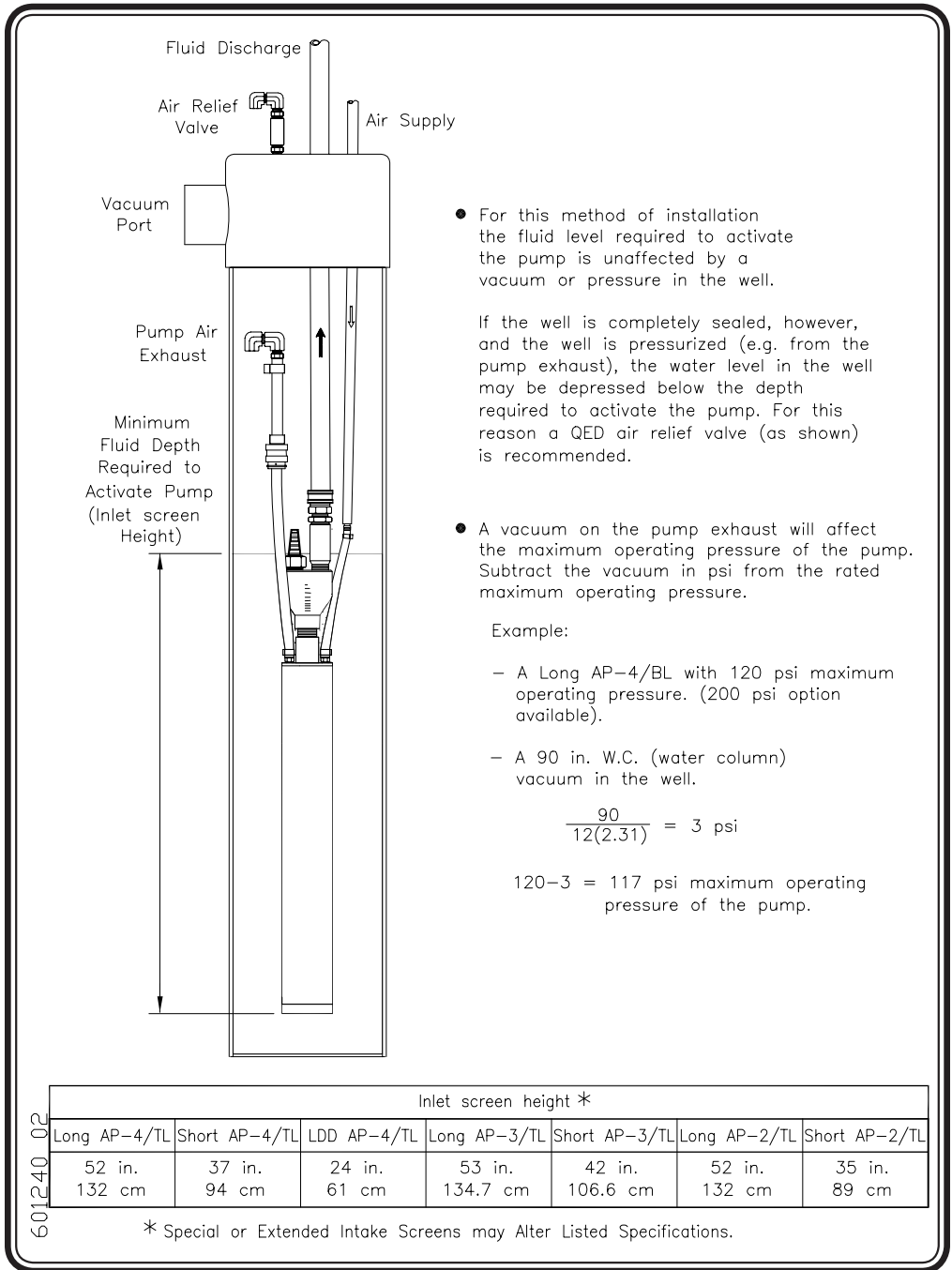


Figure 33 - AP-2/TL with Vacuum In the Well and Pump Exhaust In the Well



Appendix E: Air Compressor

Installation

The air compressor provides the air necessary to drive the system. The compressed air normally passes through a single stage filter/regulator and then into the AutoPump System.

WARNING:

The air compressor and any other electrical equipment used with this pneumatic system must be positioned outside of any area considered hazardous because of the possibility of the presence of combustible materials.

Compressors start and stop automatically. Do not place hands or objects on or near any part of the compressor.

QED Environmental Systems (QED) does not usually supply the air compressor. It is best to buy the compressor from a local supplier who provides service. Follow the instructions that accompany the compressor. This appendix is only a general guide, not an in-depth manual for the compressor.

WARNING:

When compressing air, parts of a compressor can get very hot. Do not touch the motor, compressor or piping until it has cooled down.

Caution:

The air compressor should be located outside and away from any area which may contain flammable fumes.

Note:

An automatic drain on the compressor receiver tank significantly reduces the load on the air filters, extends the life of the filter elements, and reduces system maintenance. If your air compressor is not equipped with an automatic drain, you can obtain one from QED.

Note:

The information on compressors is for reciprocating piston compressors. A centrifugal compressor produces about twice the air of a piston compressor for the same horsepower.

- As a general rule, a piston-type compressor should not start more than six times per hour. Also, a piston compressor should not operate more than 50% of the time.
- At a minimum, the air compressor should be in the 1 to 1-1/2 HP range with a 20 gallon holding tank.
- At sea level a 1 HP air compressor provides approximately 3.5 cubic feet per minute (SCFM) of free air.
- For compressor sizing, all down well and surface hosing and other resistance must be known.
- The 2 and 3 HP compressors should have 60 to 80 gallon tanks.
- A 5 HP compressor should have at least an 80 gallon tank, and the 7-1/2 HP and 10 HP compressors should have at least a 120 gallon tank.
- Storage tanks and automatic pressure shut-off switches provide a buffer so the compressor motor can cool between each time the tank is pressurized.
- Compressors are generally equipped with a pressure activated start/stop switch. This switch senses the pressure of the air in the holding tank (reservoir) of the compressor. The pressure difference between when the compressor starts and when it stops may need to be adjusted to maintain compressor starts to six times per hour. Refer to the compressor manufacturer for guidance.

Electrical Wiring for the Compressor

- All electrical connections should be made by a licensed electrician and in accordance with the electrical code for particular areas. The wiring should provide full motor nameplate voltage and current at the motor terminals during start-up.
- Wiring hookup must be made so that the compressor flywheel turns in the proper direction. There is usually an arrow on the flywheel to indicate the proper rotation direction.

Motor Overload Protection

- To prevent motor damage, provide all compressor motors with overload protection. Some motors are furnished with built-in thermal overload protection.
- To prevent motor damage due to low voltage or undue load imposed on the motor, use larger motors in conjunction with starters that include thermal overload units.
- To determine the proper thermal protection (thermal element), consider the load to be carried, the starting current, the running current, and the ambient temperature. Recheck electric current characteristics against nameplate characteristics before connecting wiring.

Caution:

Fuses are for circuit protection only and are not to be considered motor protection devices. Consult your local power company regarding proper fuse size.

Air Quality and Pressure

- In compressors requiring lubricating oil, do not use synthetic oil. Synthetic oil can adversely affect some materials. Non-detergent 30 Weight oil is recommended for compressor lubrication.
- Install an automatic drain on the compressor holding tank to periodically drain the water and oil which collects in the tank. This will help to extend air filter cartridge life.
- Do not lubricate the compressed air coming out of the compressor. QED equipment is designed to run without the aid of lubricated air. The air filters are designed to remove oil from the compressed air.
- The compressor should provide between 70 and 250 pounds per square inch (psi) of air pressure to the system. The filter (with metal bowl) and regulator will accept a maximum of 250 psi air pressure. Air filters with plastic bowls will accept a maximum of 150 psi. Maximum output air pressure setting on the regulator is 120 psi.

Maintenance

Although QED usually does not supply the compressor, this section is provided to help the operator. If the system receives clean, oil-free air from the compressor, maintenance will be significantly reduced.

Inspection - Check for possible damage in transit. Almost all compressors are shipped with the flywheel unmounted. Do not force the flywheel on the crankshaft. Use a wedge-in “slot” provided for easy assembly. Check belt alignment and tension carefully.

Placement - A compressor is a source of sparking. Place it out of what is considered a hazardous area by local and national fire and electric codes.

Mounting - Install in a clean, dry, well-ventilated location away from any source of heat such as a boiler or radiator. If the unit is to be fastened to a foundation, support and shim all four feet firmly to remove all stress from the unit. The compressor flywheel should be mounted towards a wall with a minimum clearance of 18 inches to allow for circulation of air and additional clearance if required for servicing.

Lubrication - Fill the crankcase to the level mark on the oil gauge. Use the type of industrial compressor oil that is recommended by the manufacturer for the ambient temperature. Do not use synthetic oil, as these can damage the pumps.

Pressure and Speed - Never operate the compressor at pressures or speeds in excess of those recommended by the factory. Every compressor assembly must have a safety valve installed and should be set at either the maximum tank working pressure or 25 psi over the actual pressure of the pump, whichever is less.

Daily - Check for unusual noise, failure to compress, overheating, oil leaks, and vibration. Correct before serious damage can develop. Drain all condensate from receiver and traps.

Weekly - Examine intake filter elements and if they are dirty, remove and clean or replace them. Check oil level and add oil if necessary. Do not fill over level mark on sight glass. Keep compressor clean for efficient operation and appearance.

Monthly - Check and tighten all bolts and nuts as required. Check air connections for air leaks and tighten as required. Check belt tension.

Note:

These are standard maintenance procedures which the QED Environmental Systems “warranty” does not cover. QED does not manufacture compressors. Always use the manufacturer’s instructions and recommendations when installing, using and servicing the compressor. These notes are included as a general guide only.

Troubleshooting

Although QED usually does not supply the compressor, this section is provided to help the operator. If the system receives clean, oil-free air from the compressor, maintenance will be significantly reduced.

I. Problem: Slow Pumping or Insufficient Pressure

Solutions:

- A. Clogged filter element: clean or replace.
- B. Leaks in air lines: retighten or replace.
- C. Insufficient air capacity: add compressor capacity, consult dealer.
- D. Head valves: clean or replace.
- E. Slipping belts: adjust or replace.
- F. Power cord is too long for the power needed, causing a voltage drop: use a short cord with large wires. Do not coil the power cord.

II. Problem: Excessive Oil Consumption

Solutions:

- A. Too much oil: drain out excess to level mark on sight glass.
- B. Worn rings: replace rings.
- C. Clogged air intake filters: clean or replace.
- D. Improper Oil: check the manufacturer’s recommendation.

- E. Oil leaks: check and tighten all bolts and nuts to manufacturer's specifications. Replace gaskets if necessary.
- F. See "Overheating."

III. Problem: Overheating

Solutions:

- A. Pump running backwards: reverse rotation.
- B. Inadequate ventilation or high ambient temperature: move intakes to outside and install filters to protect against weather and foreign objects. Force air through enclosure if necessary.
- C. Restricted air intakes: clean or replace.
- D. Loose or restricted valves: retighten, clean, or replace.
- E. Incorrect installation: allow 18 inches minimum between wall and flywheel.
- F. Insufficient air capacity: consult dealer. Seal all air leaks.
- G. Insufficient oil: check level and consult dealer.

IV. Problem: Oil or Water in Air

Solutions:

- A. Drain tank more often: use an automatic drain.
- B. Reposition intake to take in cooler, drier air.
- C. Install water dropouts with automatic drains in the air lines.
- D. Install an after cooler prior to the air storage tanks.

Appendix F: Pump Cycle Counter

Introduction

QED Environmental Systems (QED) Pump Cycle Counters (PCC) are air pulse detecting units that are placed in-line between a pump and its air supply. They require no external power source. A digital readout displays the number of times a pump cycles. PCCs consist of a magnet housing, an internally located magnet shuttle, and a digital display.

The position of the digital display is adjustable, allowing the counter to be used on many different kinds of pumps and at various distances from the well. (See **Figure 34**)

The PCC can be used on at least 75 feet (23 m) of 3/8 inch (9.5mm) or 1/4 inch (6.4mm) air hose with air pressure supply 30% higher than the total developed head.

Performance of the PCC is dependent upon the air hose size and the length, the type of pump and the system pressure. Air flow control valves can affect counter performance. Please contact *QED* for application assistance.

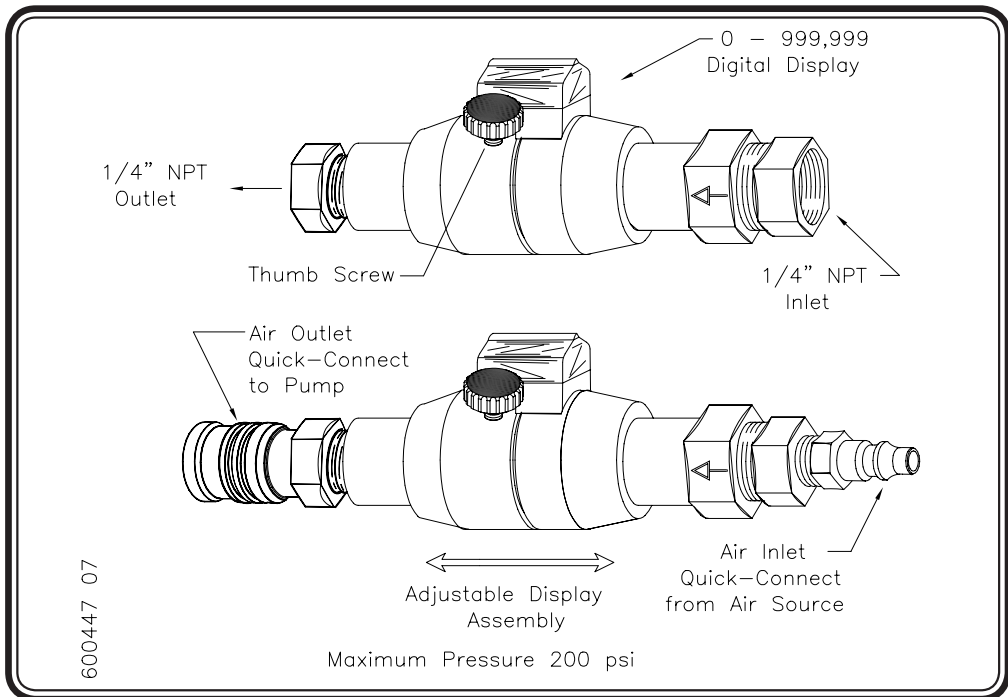


Figure 34 - Pump Cycle Counter

Pump Cycle Counter Operation/Installation

When a pneumatically operated pump such as the *QED* AutoPump® has filled, it triggers itself “On”. This allows air to flow to the pump until a certain volume of fluid has discharged. The air stops; the pump fills; then the cycle continues to repeat.

A PCC mounted between a filter/regulator and a pump senses air flow to the pump. In a piston-like action, the internally located magnet shuttle moves forward (in the direction of air flow) during the “On” pulse and returns to a seated position in the “Off” period. (See **Figure 35**)

The digital display senses the completion of this “to-and-from” movement and records the cycle, increasing the number one digit that is shown in the clear plastic display.

This process repeats itself for each pump cycle.

Note:

The PCC will not function properly beyond certain distance limits from the pump, or, above or below optimum air line diameters. Safe limits are as follows:

AP-4: 250 ft. maximum with 1/4 inch or 3/8 inch ID air hose.

AP-3: 150 ft. maximum with 1/4 inch or 3/8 inch ID air hose.

AP-2: 75 ft. maximum with 1/4 inch or 3/8 inch ID air hose.

Contact *QED* for advice.

Digital Display

The digital display has the following features:

- A six digit counter that counts from 0 - 999,999 before resetting itself.
- A clear viewing lens that is water-and-impact resistant.
- **Optional:** Switch for remote electronic readout available upon request. (See **Figure 37**)

Magnet Housing

The magnet housing has the following features:

- A clear mark on the outside that indicates the correct direction of air flow.
- It is made of anodized aluminum.
- It has a 1/4-inch FNPT inlet and a 3/8-inch or 1/4-inch FNPT outlet.
- It handles air pressures from 40 - 200 psi.

Hardware Options

Inlet and outlet openings can be fit with no-mix quick-connects or barb connections depending on site requirements.

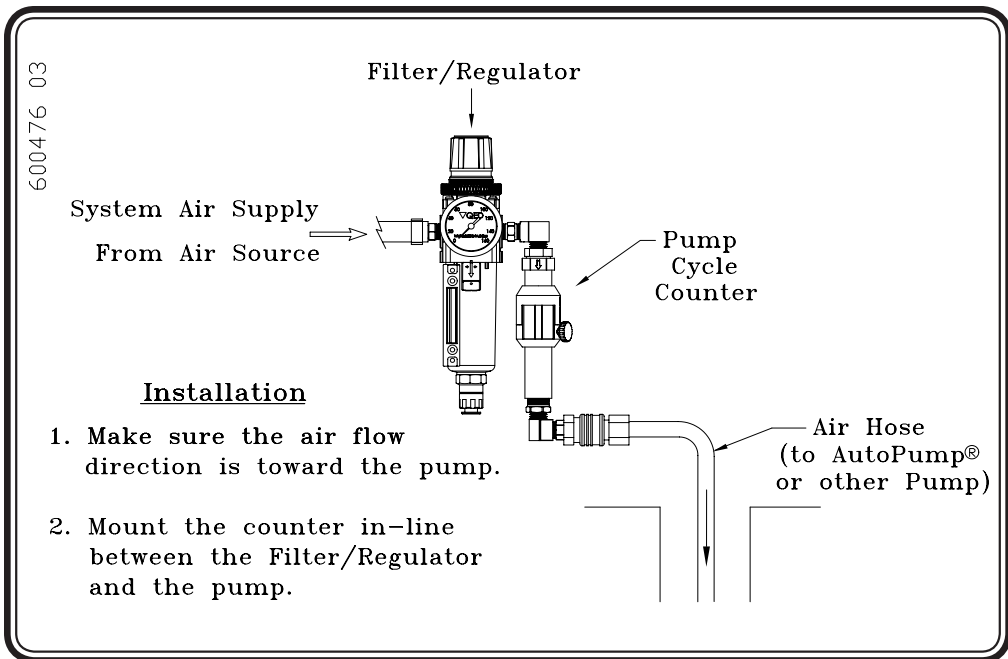


Figure 35 - Pump Cycle Counter Installation

Materials of Construction

QED PCCs are made of the following:

- Anodized Aluminum
- Stainless Steel
- Engineering Plastics
- Brass
- Viton

Pump Cycle Counter Weight - 0.4 lbs (0.2 kg)

Adjusting the Pump Cycle Counter

Note:

To get the most reliable performance, adjust the counter after it is installed and the pump is running. Typically, the Display Assembly that holds the digital readout is set 1/2-inch (13mm) from the upstream hex. Before adjusting the PCC be sure there is no air leak downstream of the counter. A leak could influence the travel of the magnet shuttle when the pump cycles.

- STEP 1 -** Loosen, but do not remove, the thumb screw (**item #3**) that locks the Display Assembly. (See **Figure 36**)
- STEP 2 -** Slide the Display Assembly on the magnet housing (**item #6**) (back and forth or up and down as the case may be) while the pump is cycling until the digital display (**item #4**) advances once per pump cycle.
- STEP 3 -** Slowly slide the Display Assembly upstream towards the air source until the digital display (**item #4**) stops counting. Using a pencil, mark this point on the magnet housing (**item #6**).
- STEP 4 -** Slowly slide the Display Assembly in the opposite direction, towards the pump, past where the counting occurs until the digital display (**item #4**) stops counting. Using a pencil, mark this point on the magnet housing (**item #6**).
- STEP 5 -** Position the Display Assembly between the two extremes where counting did not occur. Lock the Display Assembly in place with the thumb screw. (**item #3**)

Cleaning the Pump Cycle Counter

Sometimes the PCC does not count due to either the magnet shuttle or the spring hanging up inside the magnet housing. The counter components can be cleaned by *gently* washing the unit in warm water. A soft brush may be used to remove debris. To clean the inside, follow these instructions: **(See Figure 36)**

Note:

As a precaution, mark and/or measure with a pencil, the set distance **(See Figure 36)** so that it can be reset in the same position should movement occur. Do not loosen the thumb screw **(item #3)** since movement of the Display Assembly is unnecessary for cleaning.

- STEP 1 -** Remove the inlet fitting **(item #11)**, not the thumb screw **(item #3)** as noted above.
- STEP 2 -** Remove the magnet shuttle assembly **(item #9)** and the spring **(item #8)** from inside the magnet housing **(item #6)**.
- STEP 3 -** Inspect the magnet shuttle assembly **(item #9)**, the spring **(item #8)**, and the inside of the magnet housing **(item #6)** for burrs which may restrict the magnet shuttle assembly **(item #9)** movement.
- STEP 4 -** If burrs are present, remove the burrs and smooth the part. Replace the PCC if necessary.
- STEP 5 -** Use a soft bottle brush and warm water to clean the inside of the magnet housing.

Caution:

Be careful not to scratch the pieces.

- STEP 6 -** Let the parts dry.
- STEP 7 -** Reassemble the PCC.

600513 - 09

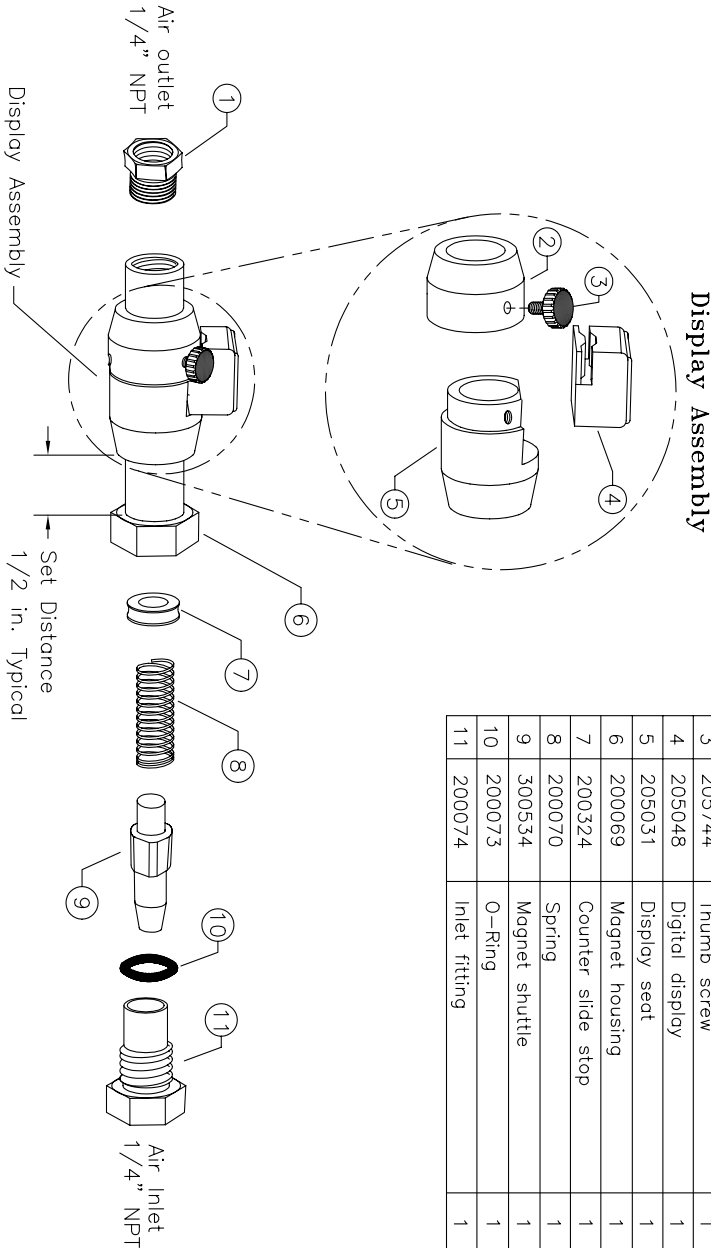


Figure 36 - Pump Cycle Counter Exploded View

Assembly of the Digital Display (Figure 36)

Should the digital display be removed and disassembled for any reason, the procedure for assembling is as follows:

- STEP 1 -** Seat the digital display (**item #4**) on the flat of the display seat (**item #5**). (See Figure 36)
- STEP 2 -** Slide the cycle counter sleeve (**item #2**) over the display seat (**item #5**) and the bottom lip portion of the digital display (**item #4**). Both pieces (the display seat #5 and the digital display #4) should be held in place by the cycle counter sleeve (**item #2**).
- STEP 3 -** Align the thumb screw holes.
- STEP 4 -** Screw in the thumb screw (**item #3**) to hold the Display Assembly together.

AP-2 Volumes Pumped Per Cycle

The volume of fluid pumped per cycle from an AutoPump® varies depending upon the inlet air pressure and the total developed head (TDH) (static plus dynamic head). The closer the pressures are to each other, (the TDH is almost the same as the inlet air pressure), the closer the volume pumped per cycle will be to the lower end of the gallon range in the table below. The TDH depends upon back pressure in the surface lines, hose size, fittings, vertical and horizontal pumping distance, the number of pumps feeding the hose system, air pressure to the pump, and the type of pump. The effects of some of these variables may cause the volume pumped per cycle to vary from pump to pump on a single site.

AP2 AutoPump Models		
Pump	Volume per Cycle: Range	Volume per Cycle: Typical
Long AP2	0.14 - 0.17 gal (0.53 - .64 L)	0.155 gal (0.59 L)
Short AP2	0.05 - 0.08 gal (0.19 - 0.30 L)	0.065 gal (0.25 L)

601749 02

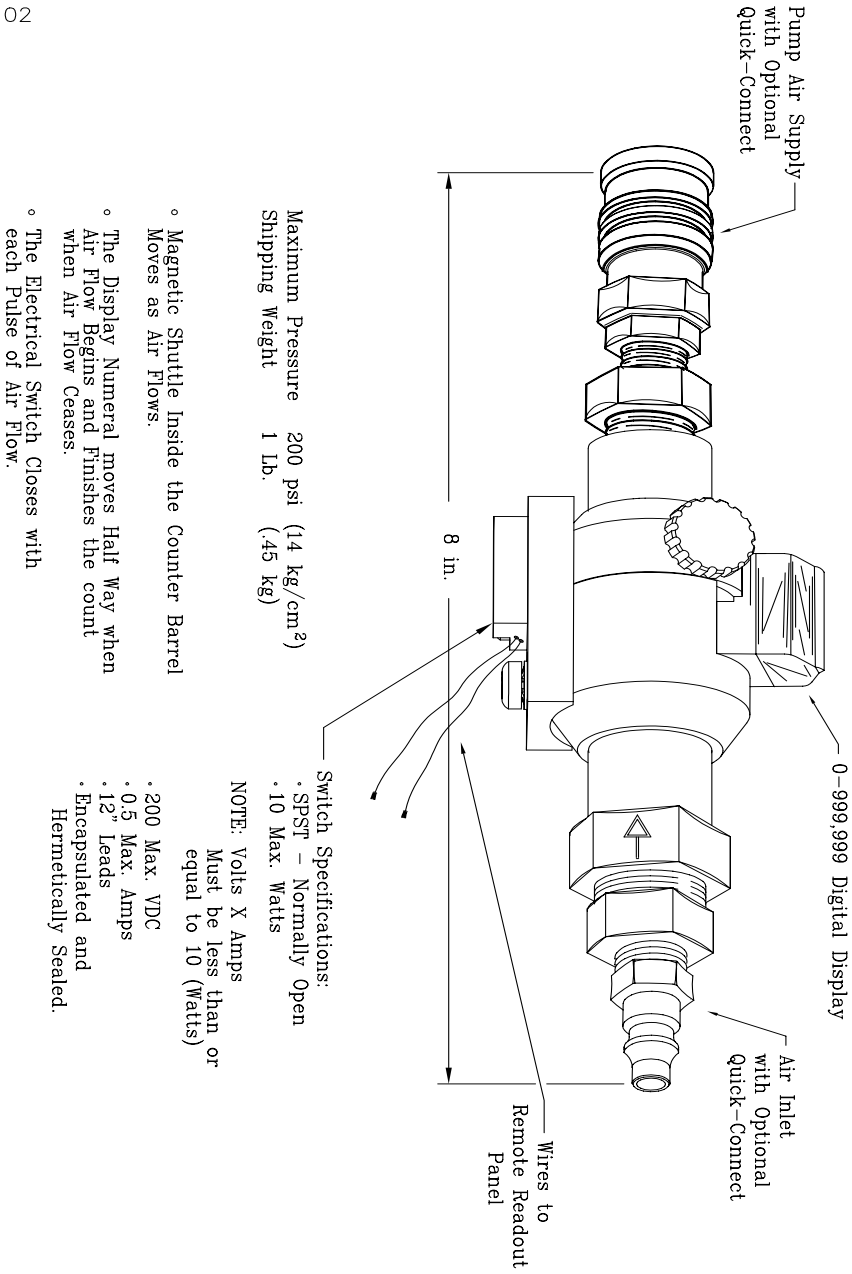
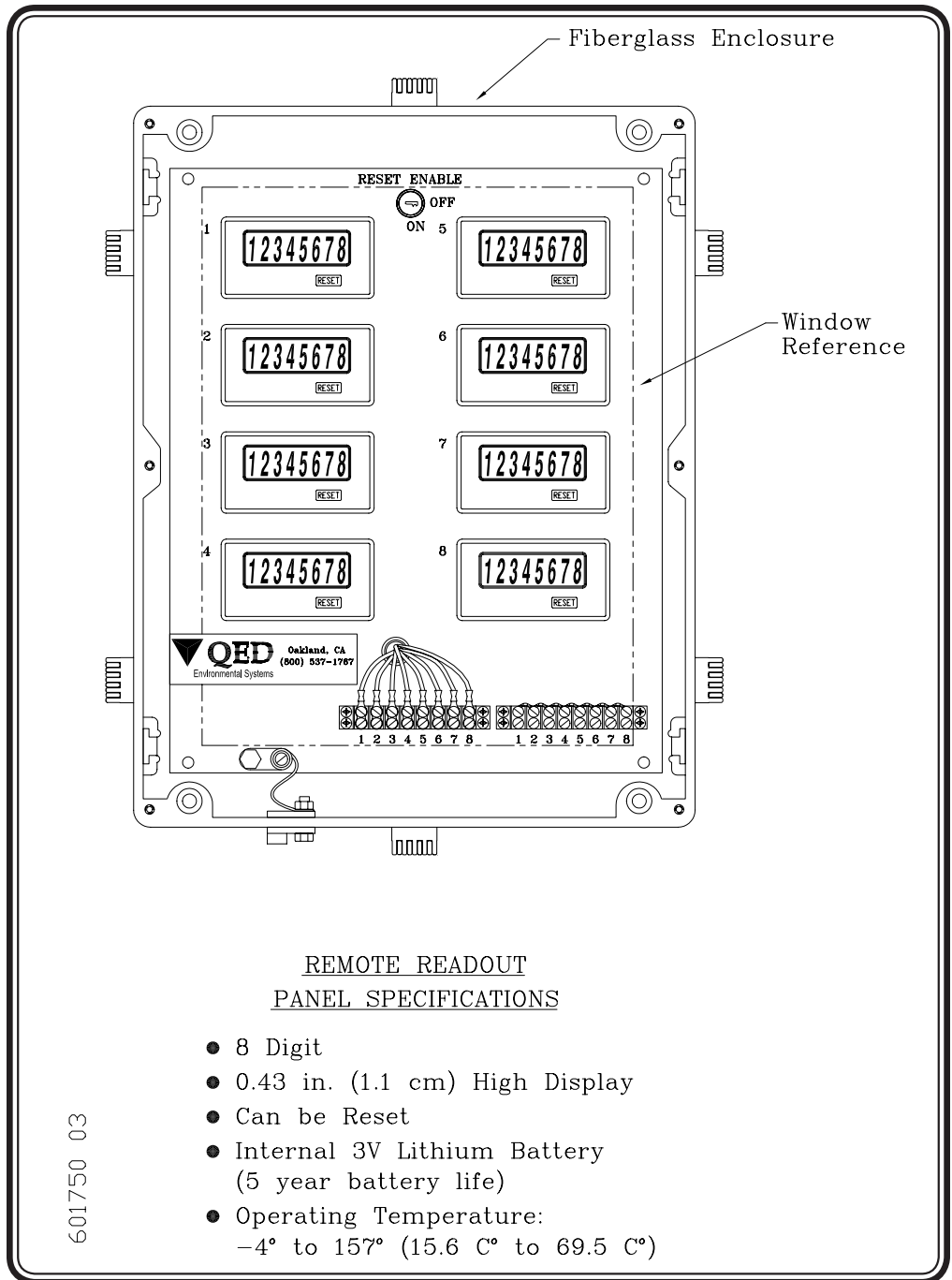


Figure 37 - Pump Cycle Counter with Magnetic Reed Switch



601750 03

Figure 38 - Pump Cycle Counter Remote Readout Panel



Terms, Conditions, and Warranty

ONE YEAR Warranty

This limited warranty is in lieu of and excludes all other representations made by advertisements, distributors, agents, or manufacturers sales representatives, and all other warranties, both express and implied. There are no implied warranties of merchantability or of fitness for a particular purpose for goods covered hereunder.

QED Environmental Systems warrants to the purchaser of its products that, subject to the limitations and conditions provided within the Terms & Conditions of Sale, products, materials and/or workmanship shall reasonably conform to descriptions of the products and shall be free of defects in material and workmanship.

All warranty durations are calculated from the original date of purchase—determined as beginning the date of shipment from QED facilities and the date QED is notified of a warranty claim. This warranty shall be limited to the duration and conditions set forth below.

1. **AP-2 AutoPumps**—warranted for one (1) year: 100% material and 100% workmanship. This limited warranty coverage only applies to AP-2 AutoPumps. There will be no warranty for application or material compatibility. The materials used in pumps vary depending upon application and the customer is responsible for knowing the environment in which the pump will be operating and working with QED to determine what materials of construction will be best for the application.

The warranty is valid when the following conditions exist: when the site has a pH between 4 and 9, has a salinity of 3500 ppm or less, is between 40 and 120 degrees Fahrenheit, is non-corrosive to the construction materials of the pump; and is not abrasive. Typical commercial fuels are acceptable materials in free or dissolved phase. The pumps and accessories must be operated within the specifications and limits given in the manual for the particular piece of equipment.

2. **Pumps, hose, tubing, fittings, heater, condensers and air filtration housings** — warranted for one (1) year: 100% material and 100% workmanship. This does not include AP-2 AutoPumps. There will be no warranty for application or material compatibility. The materials used vary depending upon application and the customer is responsible for knowing the environment in which the equipment will be operating and working with QED to determine what materials of construction will be best for the application.
3. **Pneumatic Data Modules / Logic Control Panels** — warranted for one (1) year: 100% material and 100% workmanship.
4. **Parts and Repairs** — warranted for ninety (90) days: 100% material and 100% workmanship; when repairs are performed by QED or its appointed agent; from date of repair or for the full term of the original warranty, whichever is longer. Separately sold parts are warranted for ninety (90) days: 100% materials and 100% workmanship.

This warranty will be void in the event of unauthorized disassembly of component assemblies. Defects in any equipment that result from abuse, operation in any manner outside the recommended procedures, use and applications other than for intended use or exposure to chemical or physical environments beyond the designated limits of materials and construction, will also void the warranty.

Chemical attack by liquids and/or abrasive substances contacting equipment and accessories shall not be covered by this warranty. A range of materials of construction is available from QED and it is the Buyer's responsibility to select materials of construction to fit the Buyer's application. QED will only warrant that the supplied site liquid contacting materials will conform to published QED specifications and generally accepted standards for that particular material.

QED Environmental Systems shall be released from all obligations under all warranties if any product covered hereby is repaired or modified by persons other than QED service personnel (unless such repair by others is made with the written consent of QED); resold to other parties; and/or moved to or used on a remediation site other than originally specified.

It is understood and agreed that QED Environmental Systems shall in no event be liable for incidental or consequential damages resulting from its breach of any of the terms of this agreement, nor for special damages, nor for improper selection of any product described or referred to for a particular application. Liability under this warranty is limited to repair or replacement F.O.B. QED's factory, or its appointed agent's shop, of any parts which prove to be defective within the duration and conditions set forth herein, or repayment of the purchase price at the option of QED, provided the products have been returned in accordance with the duration and conditions set forth herein.

Subassemblies and Other Equipment Manufactured by Others

The foregoing warranty does not apply to major subassemblies and other equipment, accessories, and other parts manufactured by others, and such other parts, accessories, and equipment are subject only to the warranties, if any, supplied by their respective manufacturers. QED makes no warranty concerning products or accessories not manufactured by QED. In the event of failure of any such product or accessory, QED will give reasonable assistance to Buyer in obtaining from the respective manufacturer whatever adjustment is reasonable in light of the manufacturer's own warranty.

Illustrations and Drawings

Reasonable Effort has been made to have all illustrations and drawings accurately represent the product(s) as it actually was at the time of doing the illustrations and drawings.

However, products may change to meet user requirements and therefore may not be reflected in the literature. In addition, literature may be updated to reflect the most recent equipment revision(s). Changes to either or both equipment and/or literature can be made without notice.

Buyer's Remedies

The buyer's exclusive and sole remedy on account of or in respect to the furnishing of defective material or workmanship shall be to secure replacement thereof as aforesaid. QED shall not in any event be liable for the cost of any labor expended on any such product or material or for any special, direct, indirect or consequential damages to any one by reason of the fact that it shall have been deemed defective or a breach of said warranty.

Changes without Notice

Prices and Specifications are subject to change without notice.

Shipping Dates

Shipping dates are approximate and are subject to delays beyond our control.

F.O.B. Point and Title

All material is sold F.O.B. factory. Title to all merchandise sold shall pass to Buyer upon delivery by Seller to carrier at factory. All freight insurance is the responsibility of the Buyer and shall be charged to the Buyer on the invoice unless directed in writing. All Freight claims are the Buyer's responsibility.

Terms

Payment terms are-net 30 days; 1.5% per month past due.

State and Local Taxes

Any taxes, duties or fees which the seller may be required to pay or collect upon or with respect to the sale, purchase, delivery, use or consumption of any of the material covered hereby shall be for the account of the Buyer and shall be added to the purchase price.

Acceptance

All orders shall be subject to the terms and conditions contained or referred to in the Seller's quotation, acknowledgments, and to those listed here and to no others whatsoever. No waiver, alteration or modification of these terms and conditions shall be binding unless in writing and signed by an executive officer of the Seller. All orders subject to written acceptance by QED Environmental Systems, Ann Arbor, MI, U.S.A.

Warranty Claims Procedure (Responsibility of purchaser)

The original purchaser's sole responsibility in the instance of a warranty claim shall be to notify QED or its appointed agent, of the defect, malfunction, or other manner in which the terms of this warranty are believed to be violated. The purchaser may secure performance of obligations hereunder by contacting the Customer Service Department of QED or its appointed agent, and:

1. Identifying the product involved by model or serial number, or other sufficient description, that will allow QED, or its appointed agent, to determine which product is defective.
2. Specifying where, when, and from whom the product was purchased.
3. Describing the nature of the defect or malfunction covered by this warranty.

4. After obtaining authorization from QED, sending the malfunctioning component via a RMA# (Return Material Authorization number) to the address below or to its appointed agent:

QED Environmental Systems
1133 Seventh Street
Oakland, CA 94607
USA

(800) 537-1767 Toll-Free in North America
(510) 891-0880
(510) 444-6789 FAX

5. Equipment must be cleaned before shipment or it will be cleaned by QED before any work is performed. The customer will be charged for such cleaning.

If any product covered hereby is actually defective within the terms of this warranty, purchaser must contact QED, or its appointed agent, for determination of warranty coverage. If the return of a component is determined to be necessary, QED, or its appointed agent, will authorize the return of the component at Purchasers expense. If the product proves not to be defective within the terms of this warranty, then all costs and expenses in connection with the processing of the Purchaser's claim and all costs for repair, parts, labor, and shipping and handling, as authorized by owner hereunder, shall be borne by the Purchaser. In no event shall such allegedly defective products be returned to QED, or its appointed agent, without its consent, and QED's, or its appointed agent's, obligations of repair, replacement or refund are conditional upon the buyer's return of the defective product to QED, or its appointed agent. All equipment returned to QED will be appropriately cleaned of contamination before shipping.

