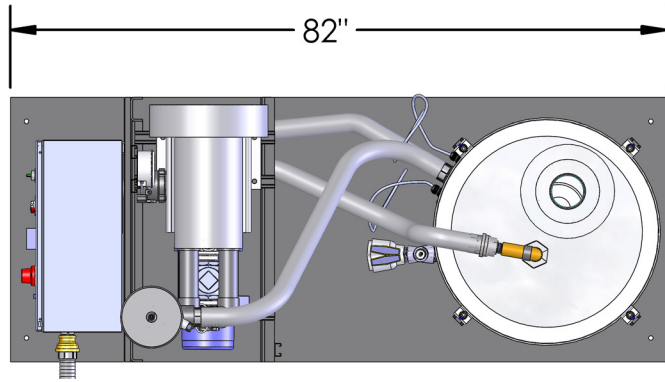


E-Z Stacker 2.4P Skid

GENERAL SPECIFICATIONS

- Max. flow rate: 25GPM
- Air flow: 140CFM
- Sump working vol.: 42 gallons
- Materials of construction:
HDPE, neoprene gaskets



PLAN VIEW

AIR DISCHARGE
4" PIPE

AIR INLET
FILTER

AIR BLEED
OFF

AERATION
BLOWER

WATER
DISCHARGE
1" NPT

87"

WATER INLET
1-1/4" NPT

15.8"
33"

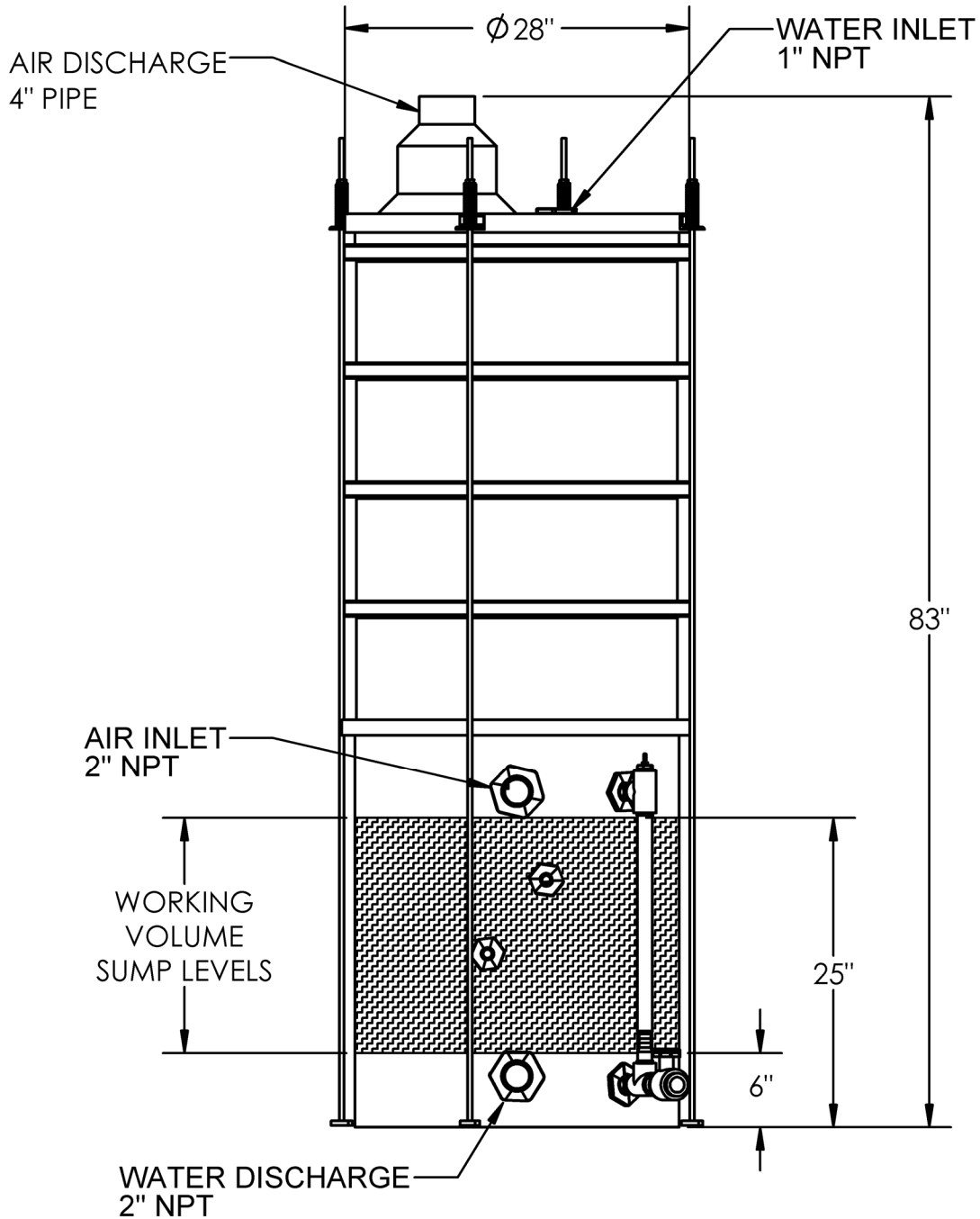
FRONT VIEW

SIDE VIEW

EXAMPLE OF A SKID SYSTEM WITH CONTROL PANEL, PUMPS, AND BLOWER CONTACT QED FOR INFORMATION ON ALL OPTIONS.
NOT TO SCALE, NOT FOR CONSTRUCTION, FOR REFERENCE ONLY
LICENSED UNDER PATENT # 10,272,356 B2 AND
MORE U.S. AND NON U.S. PATENTS.



E-Z Stacker 2.4P



E-Z Stacker 2.4P STRIPPER ONLY.
CONTACT QED FOR INFORMATION ON ALL OPTIONS.
NOT TO SCALE, NOT FOR CONSTRUCTION, FOR REFERENCE ONLY
LICENSED UNDER PATENT # 10,272,356 B2 AND
MORE U.S. AND NON U.S. PATENTS.