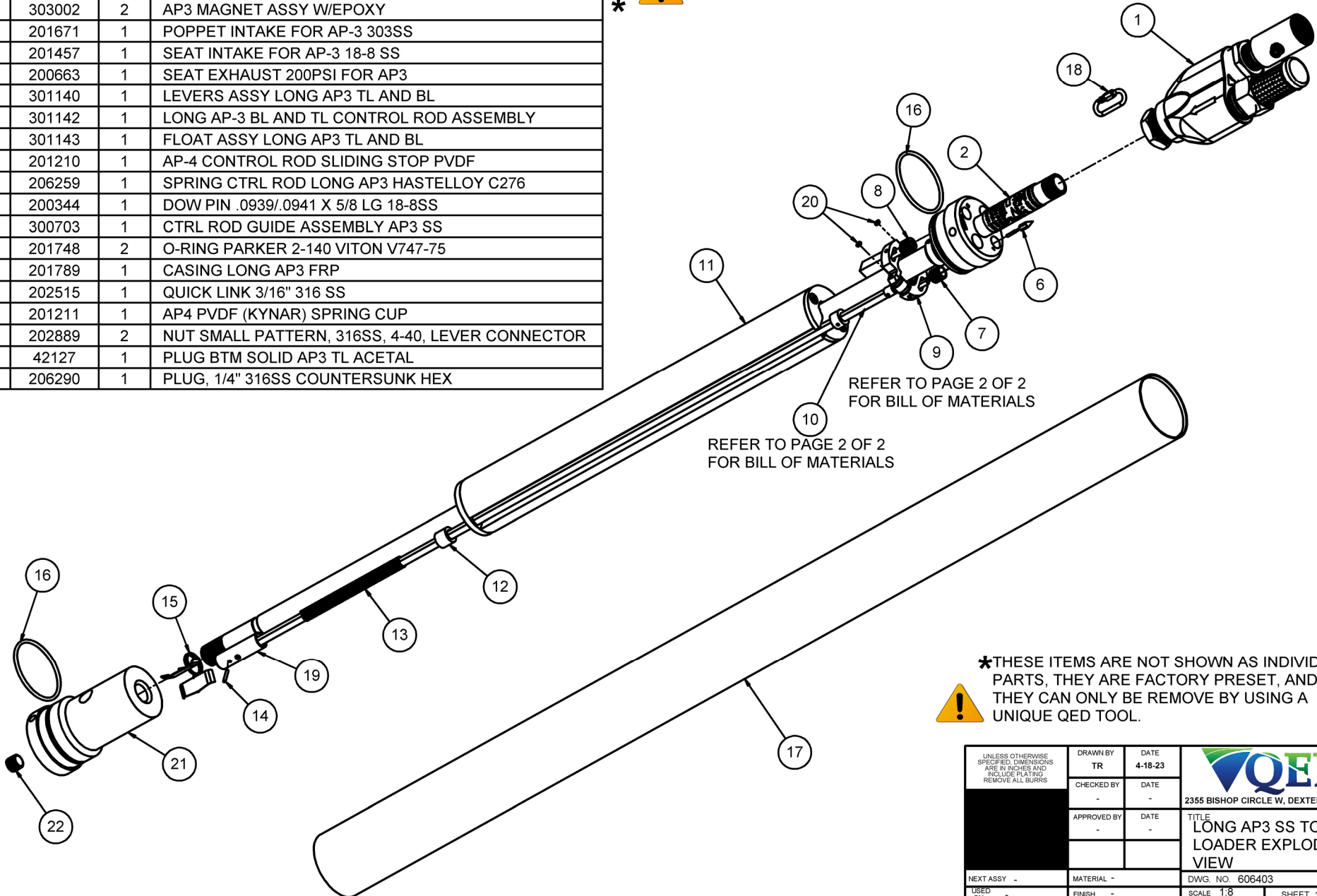


THE INFORMATION CONTAINED IN THIS DRAWING IS THE SOLE PROPERTY OF Q.E.D. ENVIRONMENTAL. ANY REPRODUCTION IN PART OR WHOLE WITHOUT THE WRITTEN PERMISSION OF Q.E.D. ENVIRONMENTAL IS PROHIBITED.

302074A


REFER TO PAGE 2 OF 2 FOR BILL OF MATERIALS


ITEM	PART #	QTY.	DESCRIPTION
1	301382	1	WYE ASSY W/303 DISCHARGE CV AP3 TL
2	302856	1	FRAME AP3 LONG ATEX
3	201267	2	CAP AP3 MAGNET WELL 303SS
4	201258	2	10-32 x 3-8 CP SKT SET 18-8 SS
5	303002	2	AP3 MAGNET ASSY W/EPOXY
6	201671	1	POPPET INTAKE FOR AP-3 303SS
7	201457	1	SEAT INTAKE FOR AP-3 18-8 SS
8	200663	1	SEAT EXHAUST 200PSI FOR AP3
9	301140	1	LEVERS ASSY LONG AP3 TL AND BL
10	301142	1	LONG AP-3 BL AND TL CONTROL ROD ASSEMBLY
11	301143	1	FLOAT ASSY LONG AP3 TL AND BL
12	201210	1	AP-4 CONTROL ROD SLIDING STOP PVDF
13	206259	1	SPRING CTRL ROD LONG AP3 HASTELLOY C276
14	200344	1	DOW PIN .0939/.0941 X 5/8 LG 18-8SS
15	300703	1	CTRL ROD GUIDE ASSEMBLY AP3 SS
16	201748	2	O-RING PARKER 2-140 VITON V747-75
17	201789	1	CASING LONG AP3 FRP
18	202515	1	QUICK LINK 3/16" 316 SS
19	201211	1	AP4 PVDF (KYNAR) SPRING CUP
20	202889	2	NUT SMALL PATTERN, 316SS, 4-40, LEVER CONNECTOR
21	42127	1	PLUG BTM SOLID AP3 TL ACETAL
22	206290	1	PLUG, 1/4" 316SS COUNTERSUNK HEX



REFER TO PAGE 2 OF 2 FOR BILL OF MATERIALS

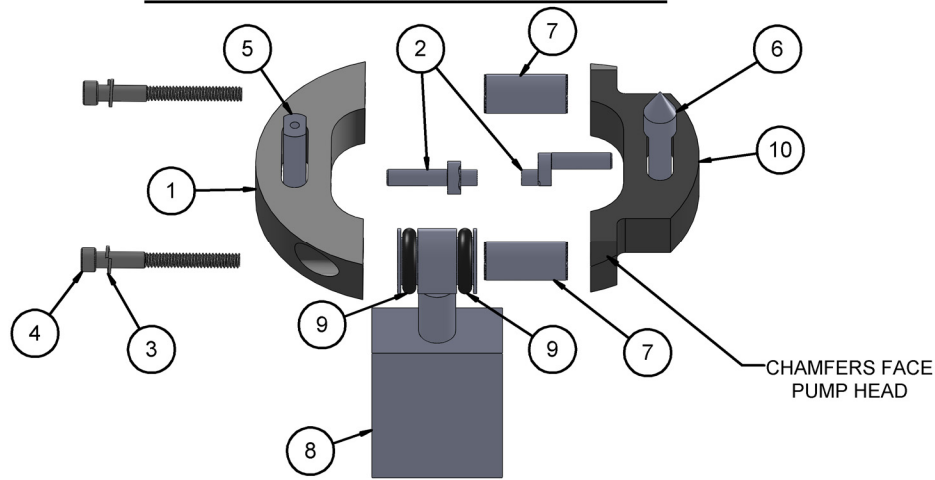
REFER TO PAGE 2 OF 2 FOR BILL OF MATERIALS

 *THESE ITEMS ARE NOT SHOWN AS INDIVIDUAL PARTS, THEY ARE FACTORY PRESET, AND THEY CAN ONLY BE REMOVE BY USING A UNIQUE QED TOOL.

UNLESS OTHERWISE SPECIFIED DIMENSIONS ARE IN INCHES AND INCLUDE PLATING REMOVE ALL BURRS	DRAWN BY	DATE	 2355 BISHOP CIRCLE W, DEXTER, MI. 48130
	TR	4-18-23	
	CHECKED BY	DATE	
	APPROVED BY	DATE	TITLE
			LONG AP3 SS TOP LOADER EXPLODED VIEW
NEXT ASSY -	MATERIAL -	DWG. NO. 606403	REV. -
USED ON -	FINISH -	SCALE 1:8	SHEET 1 OF 2

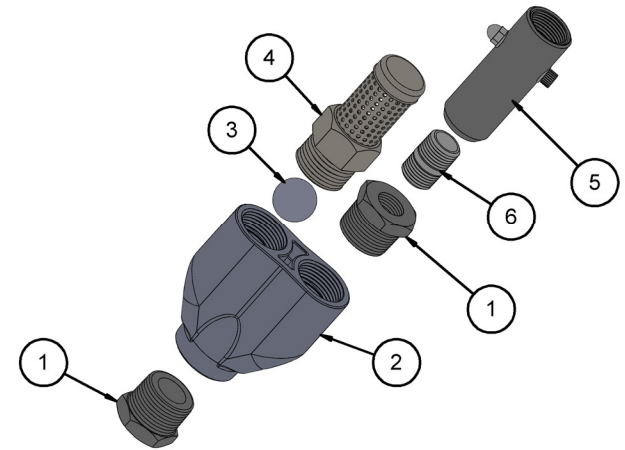
THE INFORMATION CONTAINED IN THIS DRAWING IS THE SOLE PROPERTY OF Q.E.D. ENVIRONMENTAL. ANY REPRODUCTION IN PART OR WHOLE WITHOUT THE WRITTEN PERMISSION OF Q.E.D. ENVIRONMENTAL IS PROHIBITED.

301140 - AP3 LONG LEVERS ASSEMBLY



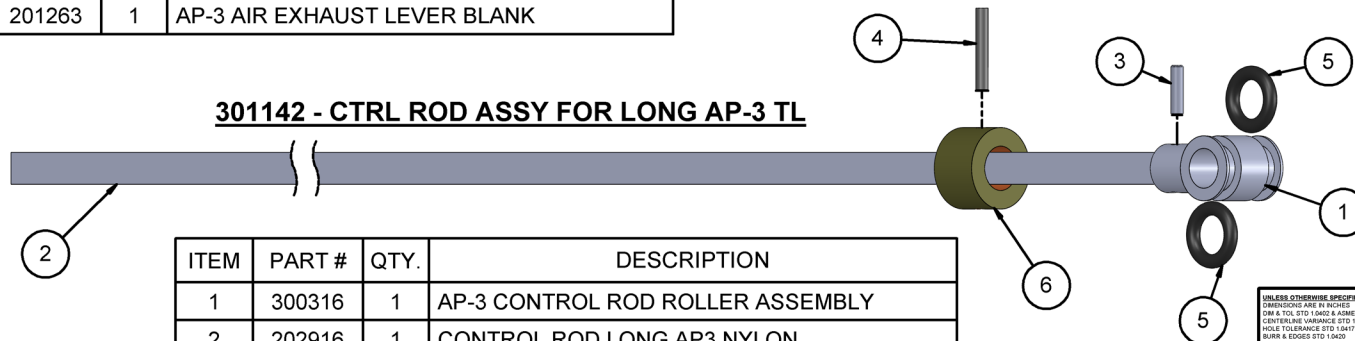
ITEM	PART #	QTY.	DESCRIPTION
1	201264	1	LEVER INT AP3 ACETAL
2	201197	2	POPPET CRANK PIVOT PIN AP3
3	201632	2	S.S. LEVER SCREW LOCK WASHER
4	201631	2	18-8 S.S. LEVER SCREW
5	201283	1	303 S.S. INTAKE POPPET CONNECTOR
6	201282	1	POPPET EXH AP3 303SS
7	201266	2	BUSHING ROLLER AP3 304SS
8	300402	1	COUNTERWEIGHT ASSY LONG AP-3 S
9	200496	2	O-RING PARKER 2-109 VITON V747-75
10	201263	1	AP-3 AIR EXHAUST LEVER BLANK

301382 - WYE ASSY W/303 DISCHARGE CV TL AP3 TL




ITEM	PART #	QTY.	DESCRIPTION
1	202834	2	BUSHING 1 MPT X 1/2 FPT 304SS
2	301777	1	WYE IMPACT RESISTANT PINNED
3	201744	1	BALL, 1" TEFLON
4	301383	1	SCREEN AP4 TL FLUID INTAKE 316SS
5	300690	1	CHECK VALVE 1/2 FPT X 3/4 FPT 303SS
6	202778	1	NIPPLE 1/2 MPT CLOSE 304SS
7	201746	1	BUSHING AP3 WYE ASSEMBLY

301142 - CTRL ROD ASSY FOR LONG AP-3 TL



ITEM	PART #	QTY.	DESCRIPTION
1	300316	1	AP-3 CONTROL ROD ROLLER ASSEMBLY
2	202916	1	CONTROL ROD LONG AP3 NYLON
3	205102	1	DOWEL PIN 3/32 X 3/8 18-8 SS
4	200344	1	DOW PIN .0939/.0941 X 5/8 LG 18-8SS
5	200496	2	O-RING PARKER 2-109 VITON V747-75
6	201209	1	STOP UPPER CTRL ROD AP4/AP3 PVDF

<small>UNLESS OTHERWISE SPECIFIED: DIMENSIONS ARE IN INCHES DIM & TOL STD 1 (ASME Y14.5-1994) CENTRELINE VARIANCE STD 1 (ASME Y14.5-1994) HOLE TOLERANCE STD 1 (ASME Y14.5-1994) SURFACE FINISH STD 1 (ASME Y14.5-1994) SURFACE ROUGHNESS STD 1 (ASME Y14.5-1994) O-RING CROSS-SECTION STD 1 (ASME Y14.5-1994)</small>	DRAWN BY TR	DATE 4-18-23	 2355 BISHOP CIRCLE W, DEXTER, MI. 48130
	CHECKED BY -	DATE -	
	APPROVED BY -	DATE -	
NEXT ASSY USED CNV	MATERIAL -	FINISH -	TITLE LONG AP3 SS TOP LOADER EXPLODED VIEW DWG. NO. 606403 SCALE 1:1 SHEET 2 OF 2