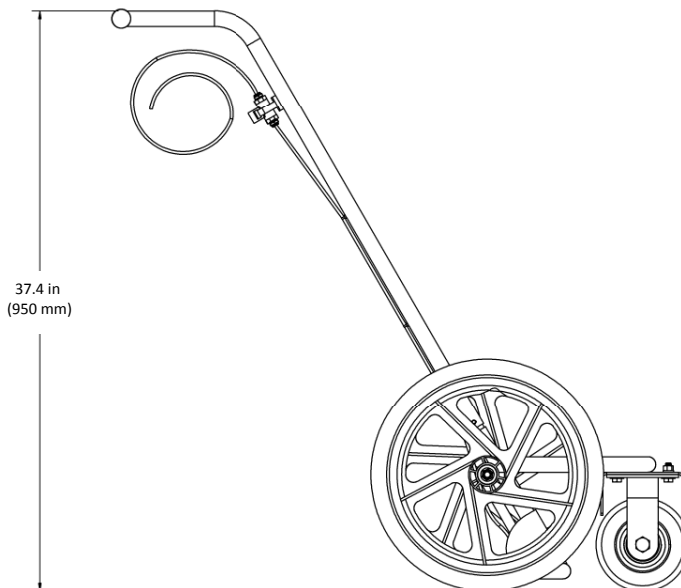
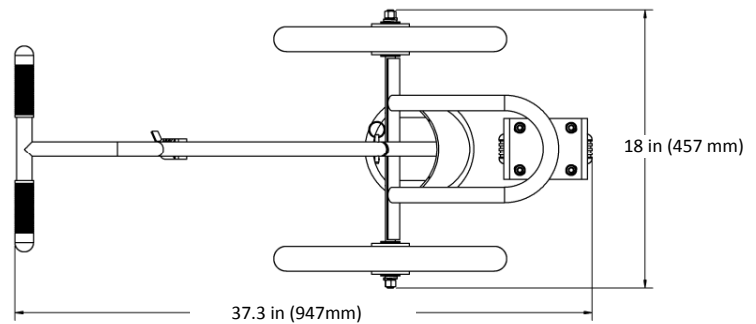




SEM ROVER™

Surface Emissions Monitoring

The SEM Rover™ is a wheeled inlet extension for use with the SEM5000 for surface emissions monitoring. The Rover guarantees compliance with inlet position regulations, regardless of terrain or field conditions. The SEM Rover is constructed of light weight, high strength aluminum framework with a durable, high visibility powder coat finish. It's landfill tough. Operator ease is emphasized with an adjustable push handle. Three large wheels maintain stability and ease of transit over all types of surfaces as the Rover holds the inlet at a consistent 5 cm from the ground. The SEM Rover will help minimize operator fatigue and reduce labor costs on sites with uneven terrain.



© Product designs and specifications are subject to change without notice. User is responsible for determining suitability of product.