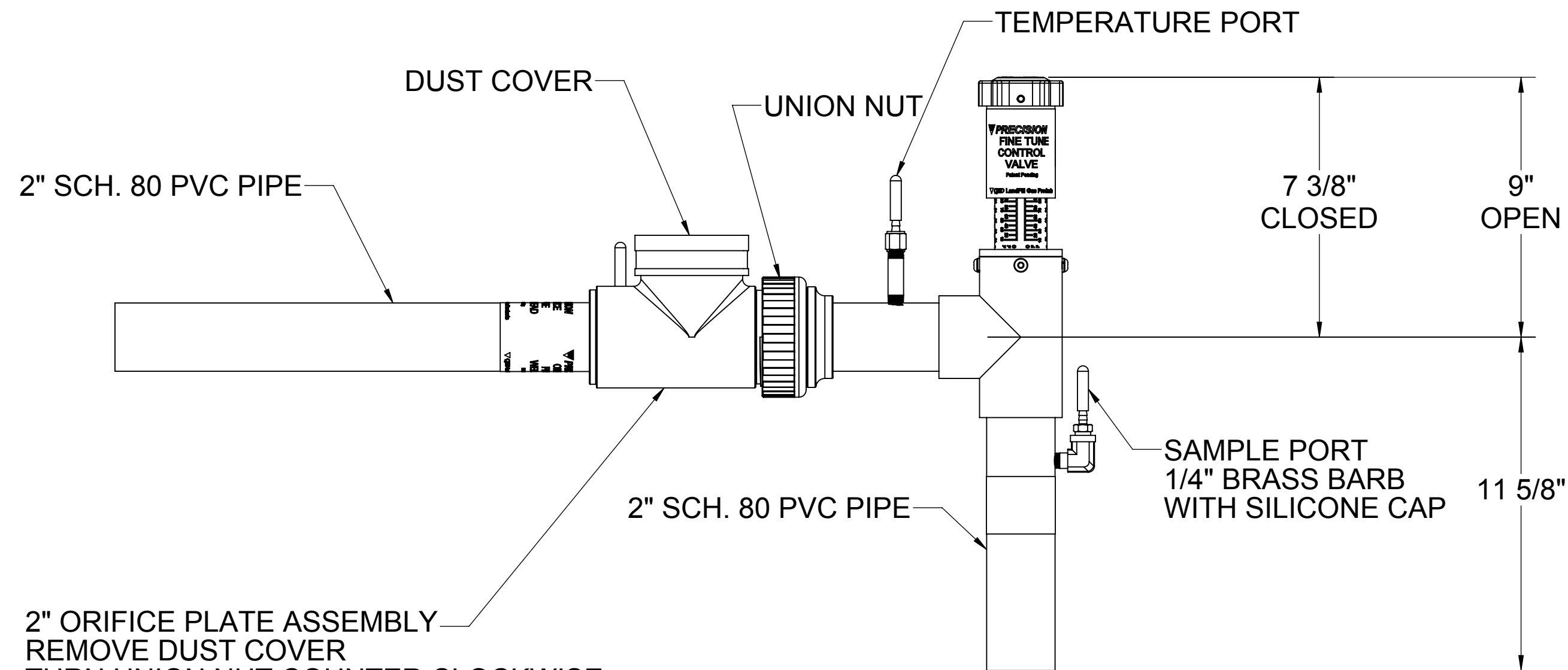
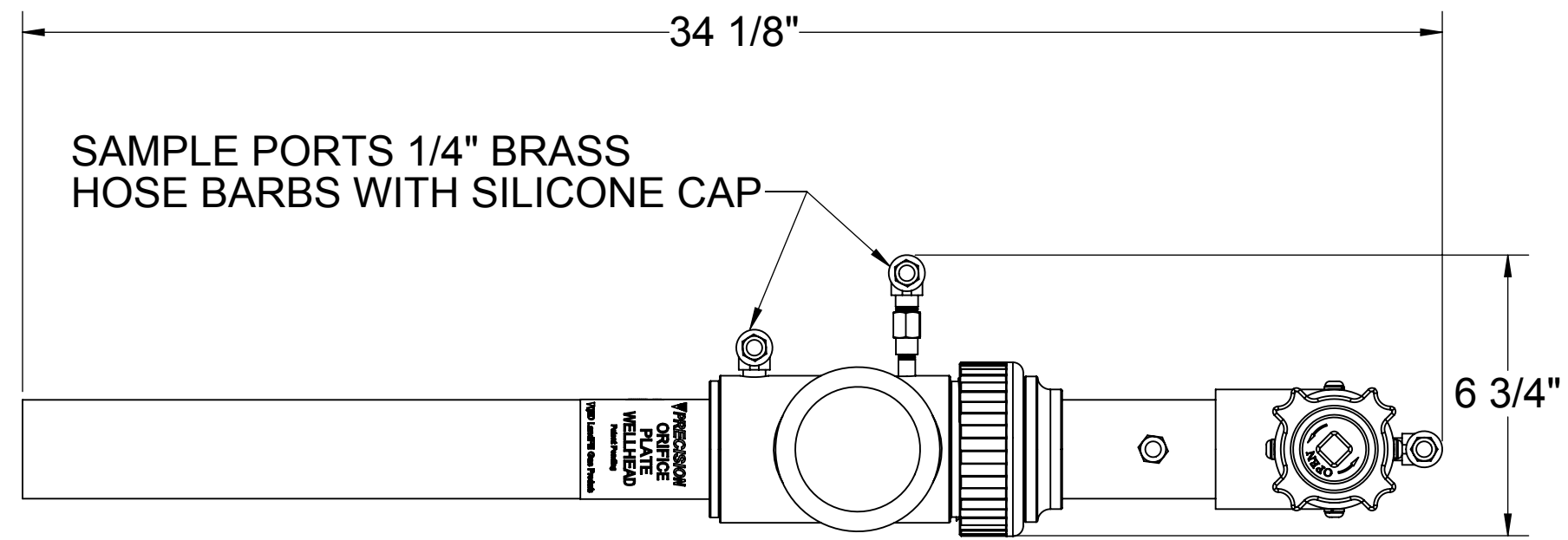


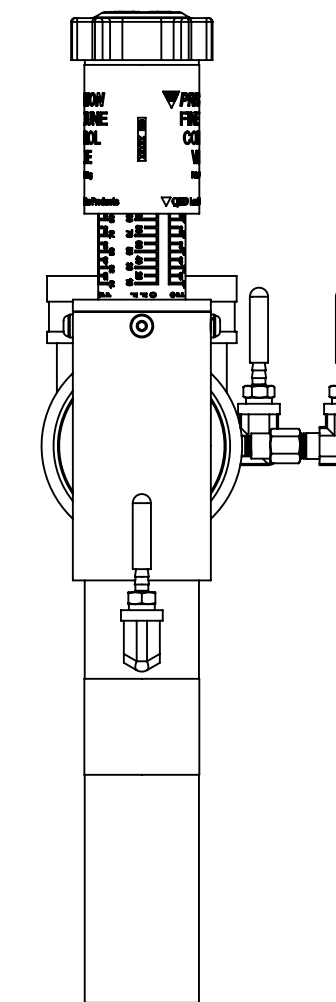
THE INFORMATION CONTAINED IN THIS DRAWING IS THE SOLE PROPERTY OF Q.E.D. ENVIRONMENTAL ANY REPRODUCTION IN PART OR WHOLE WITHOUT THE WRITTEN PERMISSION OF Q.E.D. ENVIRONMENTAL IS PROHIBITED.


REVISIONS

REV.	DESCRIPTION	ECO #	DRAWN BY	CHECKED BY	DATE
------	-------------	-------	----------	------------	------



2" ORIFICE PLATE ASSEMBLY
 REMOVE DUST COVER
 TURN UNION NUT COUNTER CLOCKWISE
 REMOVE AND CHANGE ORIFICE PLATE
 TURN UNION NUT CLOCKWISE
 REPLACE DUST COVER



UNLESS OTHERWISE SPECIFIED, DIMENSIONS ARE IN INCHES AND INCLUDE PLATING REMOVE ALL BURRS	DRAWN BY L.N.	DATE 9-27-12	 QED Environmental Systems 2355 BISHOP CIRCLE W, DEXTER, MI. 48130
	CHECKED BY -	DATE -	
TOLERANCES XX +/- .01 FRACT +/- 1/64 XXX +/- .005 ANGLES +/- 1/2 OTHER TOLERANCES AS SPECIFIED	APPROVED BY -	DATE -	TITLE ORP215HV HORIZONTAL WELLHEAD FOR 2" PIPE
	NEXT ASSY -	MATERIAL -	DWG. NO. Horizontal Wellhead II
USED ON -	FINISH -	SCALE 1:1	REV. - SHEET 1 OF 1